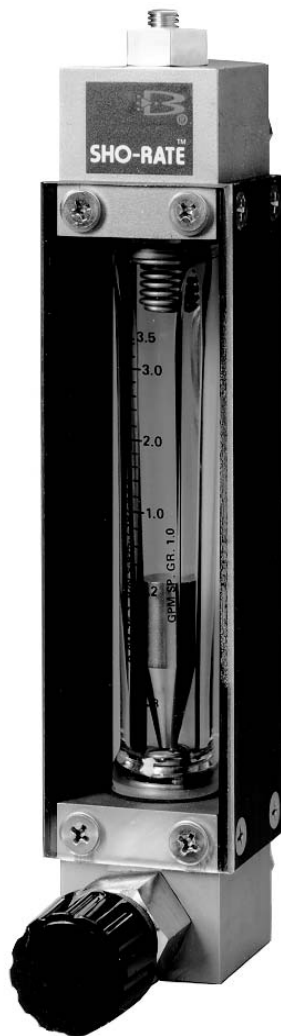


# Model 1358 Sho-Rate™ "50", Size 8, Flow Indicator



*Model 1358-V  
Sho-Rate "50" Meter  
with optional Needle  
Control Valve*

## Essential Instructions Read before proceeding!

Brooks Instrument designs, manufactures and tests its products to meet many national and international standards. These products must be properly installed, operated and maintained to ensure they continue to operate within their normal specifications. The following instructions must be adhered to and integrated into your safety program when installing, operating and maintaining Brooks Instrument products.

- To ensure proper performance, use qualified personnel to install, operate, update, program and maintain the product.
- Read all instructions prior to installing, operating and servicing the product. If this instruction manual is not the correct manual, please see back cover for local sales office contact information. Save this instruction manual for future reference.

**⚠ WARNING: Do not operate this instrument in excess of the specifications listed in the Instruction and Operation Manual. Failure to heed this warning can result in serious personal injury and / or damage to the equipment.**

- If you do not understand any of the instructions, contact your Brooks Instrument representative for clarification.
- Follow all warnings, cautions and instructions marked on and supplied with the product.
- Install your equipment as specified in the installation instructions of the appropriate instruction manual and per applicable local and national codes. Connect all products to the proper electrical and pressure sources.
- Operation: (1) Slowly initiate flow into the system. Open process valves slowly to avoid flow surges. (2) Check for leaks around the flow meter inlet and outlet connections. If no leaks are present, bring the system up to the operating pressure.
- Please make sure that the process line pressure is removed prior to service. When replacement parts are required, ensure that qualified people use replacement parts specified by Brooks Instrument. Unauthorized parts and procedures can affect the product's performance and place the safe operation of your process at risk. Look-alike substitutions may result in fire, electrical hazards or improper operation.
- Ensure that all equipment doors are closed and protective covers are in place to prevent electrical shock and personal injury, except when maintenance is being performed by qualified persons.

**⚠ WARNING: For liquid flow devices, if the inlet and outlet valves adjacent to the devices are to be closed for any reason, the devices must be completely drained. Failure to do so may result in thermal expansion of the liquid that can rupture the device and may cause personal injury.**

### European Pressure Equipment Directive (PED)

All pressure equipment with an internal pressure greater than 0.5 bar (g) and a size larger than 25mm or 1" (inch) falls under the Pressure Equipment Directive (PED).

- The Specifications Section of this manual contains instructions related to the PED directive.
- Meters described in this manual are in compliance with EN directive 97/23/EC.
- All Brooks Instrument Flowmeters fall under fluid group 1.
- Meters larger than 25mm or 1" (inch) are in compliance with PED category I, II or III.
- Meters of 25mm or 1" (inch) or smaller are Sound Engineering Practice (SEP).

### European Electromagnetic Compatibility (EMC)

The Brooks Instrument (electric/electronic) equipment bearing the CE mark has been successfully tested to the regulations of the Electro Magnetic Compatibility (2004/108/EC (EMC directive 89/336/EEC)).

Special attention however is required when selecting the signal cable to be used with CE marked equipment.

**Quality of the signal cable, cable glands and connectors:**

Brooks Instrument supplies high quality cable(s) which meets the specifications for CE certification.

If you provide your own signal cable you should use a cable which is overall completely screened with a 100% shield.

"D" or "Circular" type connectors used should be shielded with a metal shield. If applicable, metal cable glands must be used providing cable screen clamping.

The cable screen should be connected to the metal shell or gland and shielded at both ends over 360 Degrees.

The shield should be terminated to an earth ground.

Card Edge Connectors are standard non-metallic. The cables used must be screened with 100% shield to comply with CE certification.

The shield should be terminated to an earth ground.

For pin configuration : Please refer to the enclosed Instruction Manual.

### ESD (Electrostatic Discharge)


**⚠ CAUTION: This instrument contains electronic components that are susceptible to damage by static electricity. Proper handling procedures must be observed during the removal, installation or other handling of internal circuit boards or devices.**

**Handling Procedure:**

1. Power to unit must be removed.
2. Personnel must be grounded, via a wrist strap or other safe, suitable means before any printed circuit card or other internal device is installed, removed or adjusted.
3. Printed circuit cards must be transported in a conductive container. Boards must not be removed from protective enclosure until immediately before installation. Removed boards must immediately be placed in protective container for transport, storage or return to factory.

**Comments**

This instrument is not unique in its content of ESD (electrostatic discharge) sensitive components. Most modern electronic designs contain components that utilize metal oxide technology (NMOS, SMOS, etc.). Experience has proven that even small amounts of static electricity can damage or destroy these devices. Damaged components, even though they appear to function properly, exhibit early failure.

	<p><b>! WARNING</b></p> <p><b>GLASS TUBE EXPLOSION HAZARD</b></p>
<p>Plastic protective sleeve must remain over glass tube.</p> <p>Fasten meter windows securely.</p> <p>Do not operate above pressure and temperature limits.</p> <p>Avoid pressure and flow surges.</p> <p>Do not service or repair while pressurized.</p> <p>Read and understand instruction manual.</p> <p>Failure to comply could result in serious personal injury or property damage.</p>	

<p><b>! WARNING</b></p> <p><b>GLASS TUBE EXPLOSION HAZARD</b></p>
<p>Protective sleeve must remain over glass tube.</p> <p>Fasten meter windows securely.</p> <p>Failure to comply could result in serious personal injury or property damage.</p>

## Model 1358

---

Dear Customer,

We appreciate this opportunity to service your flow measurement and control requirements with a Brooks Instrument device. Every day, flow customers all over the world turn to Brooks Instrument for solutions to their gas and liquid low-flow applications. Brooks provides an array of flow measurement and control products for various industries from biopharmaceuticals, oil and gas, fuel cell research and chemicals, to medical devices, analytical instrumentation, semiconductor manufacturing, and more.

The Brooks product you have just received is of the highest quality available, offering superior performance, reliability and value to the user. It is designed with the ever changing process conditions, accuracy requirements and hostile process environments in mind to provide you with a lifetime of dependable service.

We recommend that you read this manual in its entirety. Should you require any additional information concerning Brooks products and services, please contact your local Brooks Sales and Service Office listed on the back cover of this manual or visit [www.BrooksInstrument.com](http://www.BrooksInstrument.com)

Yours sincerely,  
Brooks Instrument

<u>Paragraph Number</u>	<u>Page Number</u>
<b>Section 1 Introduction</b>	
1-1 Description .....	1-1
1-2 Design features .....	1-1
1-3 Specifications .....	1-1
1-4 Optional Equipment .....	1-2
<b>Section 2 Installation</b>	
2-1 Receipt of Equipment .....	2-1
2-2 Recommended Storage Practice .....	2-1
2-3 Return Shipment .....	2-1
2-4 Transit Precaution .....	2-2
2-5 Installation .....	2-2
<b>Section 3 Operation</b>	
3-1 Operating Instructions .....	3-1
<b>Section 4 Maintenance</b>	
4-1 General .....	4-1
<b>Section 5 Parts List</b>	
5-1 General .....	4-1
<b>Section A Essential Instructions</b>	
A-1 Essential Instructions .....	A-1
<b>Warranty, Local Sales/Service Contact Information</b> ..... Back Cover	
<b>Figures</b>	
<u>Figure Number</u>	<u>Page Number</u>
1-1 Dimensions .....	1-5
2-1 Typical Bypass Installation .....	2-3
2-2 Front Panel Mounting .....	2-4
3-1 Typical Bypass Installation .....	3-3
3-2 Reading Edge of Floats .....	3-3
5-1 Exploded View, Size 8 Model 1358 Sho-Rate .....	5-1
<b>Tables</b>	
<u>Table Number</u>	<u>Page Number</u>
1-1 Capacities .....	1-2
5-1 Model 1358 Parts List .....	5-6

*THIS PAGE WAS  
INTENTIONALLY  
LEFT BLANK*

## 1-1 Description

The Brooks® Sho-Rate “50” Series of low flow indicators provides a cost-effective means of flow indication where the accuracy requirements are not severe. Available options include an integral needle control valve as well as flow controllers piped to the inlet or outlet of the meter.

## 1-2 Design Features

- Ten-to-one rangeability
- Heavy-wall, precision bore borosilicate glass metering tube
- A wide range of scales on the metering tube
- Tube removable without disconnecting the instrument
- Interchangeable tubes and floats
- Piping connections rotatable through 360° at 90° intervals
- Easily panel mounted

## 1-3 Specifications

### **WARNING**

**Do not operate this instrument in excess of the specifications listed below. Failure to heed this warning can result in serious personal injury and/or damage to the equipment.**

### **WARNING**

**Glass metering tubes are designed for operation up to the maximum operating pressures and temperatures as specified herein. Due to the inherent brittle characteristics of glass and conditions beyond our control, tube breakage could result even within specified operating conditions. Do not use glass tube meters with fluids that are toxic, or chemically react with glass such as water above 140°F, steam, alkalis, flourine, hydrofluoric acid, or molten metal. Failure to heed warning can result in serious personal injury and/or damage to the equipment.**

### **Pressure Ratings**

200 psig (1,378 kPa) at temperatures up to 250°F (121°C). Fluid temperatures below 32°F (0°C) will cause frosting of the glass metering tube. Consult factory for applications below this temperature.

### **Pressure Equipment Directive (PED) 97/23/EC:**

Flowmeters mentioned in this instruction manual are Sound Engineering Practice (SEP).

Model 1358

**Scales**

Type (Standard): Fused on meter tube

Length: 75 mm, nominal

Graduations:

Standard: direct read on tube in gpm water or scfm air.

Optional: special direct read decal on tube. Consult factory for available ranges. Direct read on metal scale plate mounted beside tube.

**Capacities and Pressure Drops**

Refer to Table 1-1

**Standard accuracy:**

±10% of full scale from 100% to 10% of scale reading.

**Repeatability**

0.5% full scale

**Rangeability**

Ten to one

Table 1-1 Capacities

Water (gpm)	Maximum Flow Rate		Float
	Pressure Drop Without Valve Inches W.C.	Pressure Drop With Valve Inches W. C.	
0.8	12.6	13.6	8-RV-8
1.5	22.2	27.0	8-RJ-10
2.5	61.0	85.2	8-RJ-23
3.5	88.7	121.0	8-RJ-30
5.0	172	238.0	8-RJ-39
Air (scfm)	Pressure Drop Without Valve Inches W.C.	Pressure Drop With Valve Inches W.C.	Float
3.4	14.34	15.5	8-RV-8
6.0	25.34	30.8	8-RJ-10
12.0	69.34	97.3	8-RJ-23
15.0	101.34	138.3	8-RJ-30

NOTE: All air flows are at 14.7 psia and 70°F.

**Connections**

Standard: Horizontal female 3/8" NPT threaded adaptors.

Optional: Horizontal female 3/8" NPT threaded adaptors with locknut for front of panel mounting.

**Dimensions**

See Figure 1-1


**Materials of Construction:**

**Metering Tube**

Borosilicate glass



**Protective Tube Sleeve**  
UV stabilized polycarbonate

	<b>⚠ WARNING</b>
<b>GLASS TUBE EXPLOSION HAZARD</b>	
<p><b>Plastic protective sleeve must remain over glass tube. (Meter sizes 7 -13 only)</b> <b>Fasten meter windows securely.</b> <b>Do not operate above pressure and temperature limits.</b> <b>Avoid pressure and flow surges.</b> <b>Do not service or repair while pressurized.</b> <b>Read and understand instruction manual.</b> <b>Failure to comply could result in serious personal injury or property damage.</b></p>	

**Float**  
316 stainless steel

**End Fittings**  
Chrome plated brass or 316 stainless steel

**Side Plates**  
Standard: Black anodized aluminum  
Optional: 316 stainless steel

**Window**  
Scratch resistant, UV stabilized polycarbonate

<b>⚠ WARNING</b>
<b>GLASS TUBE EXPLOSION HAZARD</b>
<p><b>Protective sleeve must remain over glass tube. Fasten meter windows securely. Failure to comply could result in serious personal injury or property damage.</b></p>

**Back Cover**  
Milk white polycarbonate

**Float Stops**  
Stainless steel

## Model 1358

**Tube Packing**

Standard: Neoprene® (Brass meters), Viton-A® fluoroelastomers (316 stainless steel meters).

Optional: Teflon®, EPM

**O-rings**

Standard: Buna-N (Brass meters), Viton-A

Optional: (316 stainless steel meters): EPM, Kalrez®

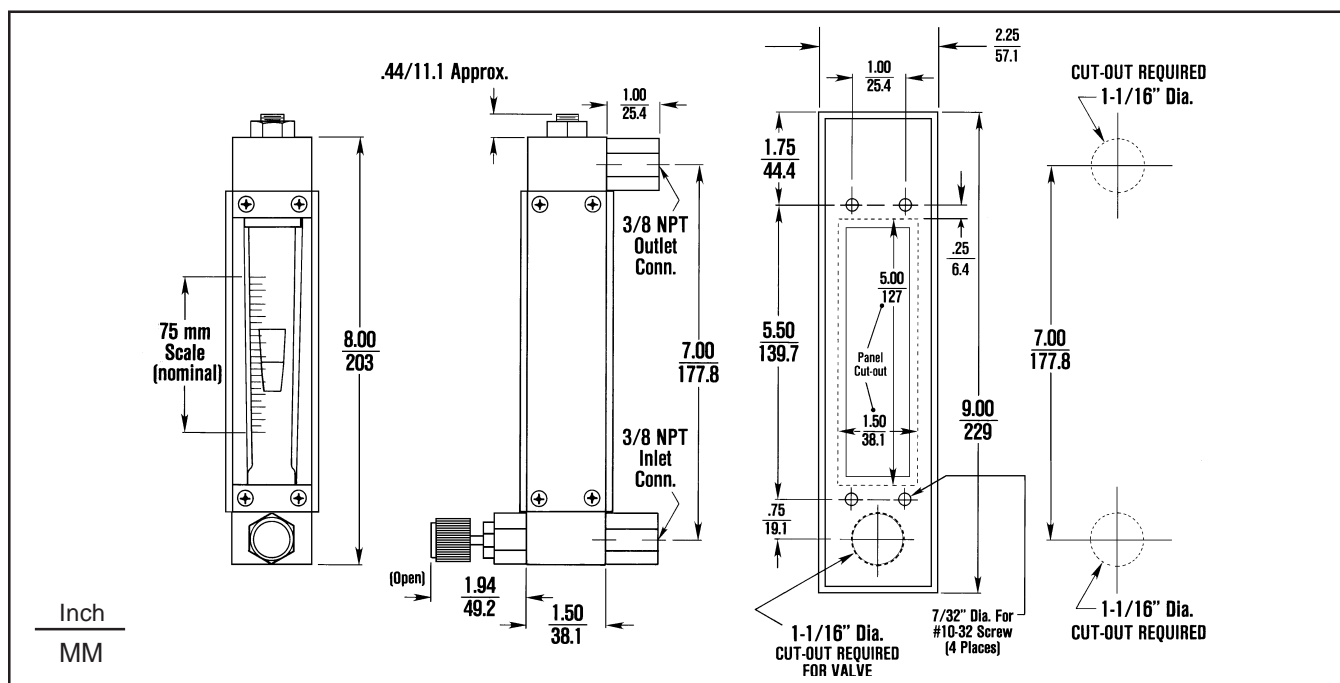


Figure 1-1 Model 1358 Dimensions

**1-4 Optional Equipment****Mounting**

Flush panel mounting bezel

Front of panel mounting locknuts

**Standard Needle Valve**

The standard needle valve can be supplied integrally mounted or externally piped to the inlet or outlet of the instrument.

**Flow Controllers**

Flow controllers can be supplied integrally mounted or externally piped to the inlet or outlet of the instrument. For the flow controller's complete instruction manual go to our website: [BrooksInstrument.com](http://BrooksInstrument.com), select Documentation, Precision Valves & Flow Controllers, select FC8800, or FC8900.

## 2-1 Receipt of Equipment

When the instrument is received, the outside packing case should be checked for damage incurred during shipment. If the packing case is damaged, the local carrier should be notified at once regarding his liability. A report should be submitted to your nearest Product Service Department.

### Brooks Instrument

407 W. Vine Street  
P.O. Box 903  
Hatfield, PA 19440 USA  
Toll Free (888) 554 FLOW (3569)  
Tel (215) 362 3700  
Fax (215) 362 3745  
E-mail: BrooksAm@BrooksInstrument.com  
www.BrooksInstrument.com

### Brooks Instrument

Neonstraat 3  
6718 WX Ede, Netherlands  
P.O. Box 428  
6710 BK Ede, Netherlands  
Tel +31 (0) 318 549 300  
Fax +31 (0) 318 549 309  
E-mail: BrooksEu@BrooksInstrument.com

### Brooks Instrument

1-4-4 Kitasuna Koto-Ku  
Tokyo, 136-0073 Japan  
Tel +81 (0) 3 5633 7100  
Fax +81 (0) 3 5633 7101  
Email: BrooksAs@BrooksInstrument.com

Remove the envelope containing the packing list. Carefully remove the instrument from the packing case. Make sure spare parts are not discarded with the packing materials. Inspect for damaged or missing parts.

## 2-2 Recommended Storage Practice

If intermediate or long-term storage of equipment is required, it is recommended that the equipment be stored in accordance with the following:

- a. Within the original shipping container.
- b. Stored in a sheltered area, preferably a warm, dry, heated warehouse.
- c. Ambient temperature of 70° F (21° C) nominal, 109° F (43° C) maximum, 45° F (7° C) minimum.
- d. Relative humidity 45% nominal, 60% maximum, 25% minimum.  
Upon removal from storage a visual inspection should be conducted to verify the condition of equipment is "as received".

## Model 1358

**2-3 Return Shipment**

Prior to returning any instrument to the factory, contact your nearest Brooks location for a Return Materials Authorization Number (RMA#). This can be obtained from one of the following locations:

**Brooks Instrument**

407 W. Vine Street  
P.O. Box 903  
Hatfield, PA 19440 USA  
Toll Free (888) 554 FLOW (3569)  
Tel (215) 362 3700  
Fax (215) 362 3745  
E-mail: BrooksAm@BrooksInstrument.com  
www.BrooksInstrument.com

**Brooks Instrument**

Neonstraat 3  
6718 WX Ede, Netherlands  
P.O. Box 428  
6710 BK Ede, Netherlands  
Tel +31 (0) 318 549 300  
Fax +31 (0) 318 549 309  
E-mail: BrooksEu@BrooksInstrument.com

**Brooks Instrument**

1-4-4 Kitasuna Koto-Ku  
Tokyo, 136-0073 Japan  
Tel +81 (0) 3 5633 7100  
Fax +81 (0) 3 5633 7101  
Email: BrooksAs@BrooksInstrument.com

Any instrument returned to Brooks requires completion of Form RPR003-1, Brooks Instrument Decontamination Statement, as well as, a Material Safety Data Sheet (MSDS) for the fluid(s) used in the instrument. This is required before any Brooks Personnel can begin processing. Copies of the form can be obtained from any Brooks Instrument location listed above.

**2-4 Transit Precautions**

To safeguard against damage during transit, transport the instrument to the installation site in the same container used for transportation from the factory if circumstances permit.

**2-5 Installation****A. Location**

For proper operation the Model 1358 must be mounted within 6 degrees of true vertical. The inlet connection to the flowmeter is in the bottom end fitting. The connections are normally horizontal female NPT. The use of a level is recommended to assure vertical positioning. Piping must be adequately supported to prevent undue strain on the flowmeter.

**B. Piping Arrangement**

It is recommended that bypass piping be installed around the flowmeter so it may be isolated from the process line for servicing and cleaning. Refer to Figure 2-1 for a typical installation.

**⚠ CAUTION**

**Do not allow the float to fall out of the metering tube. A damaged Float will affect the accuracy of the meter. Be careful not to break the tube by pulling on it at an extreme angle or applying excessive force.**

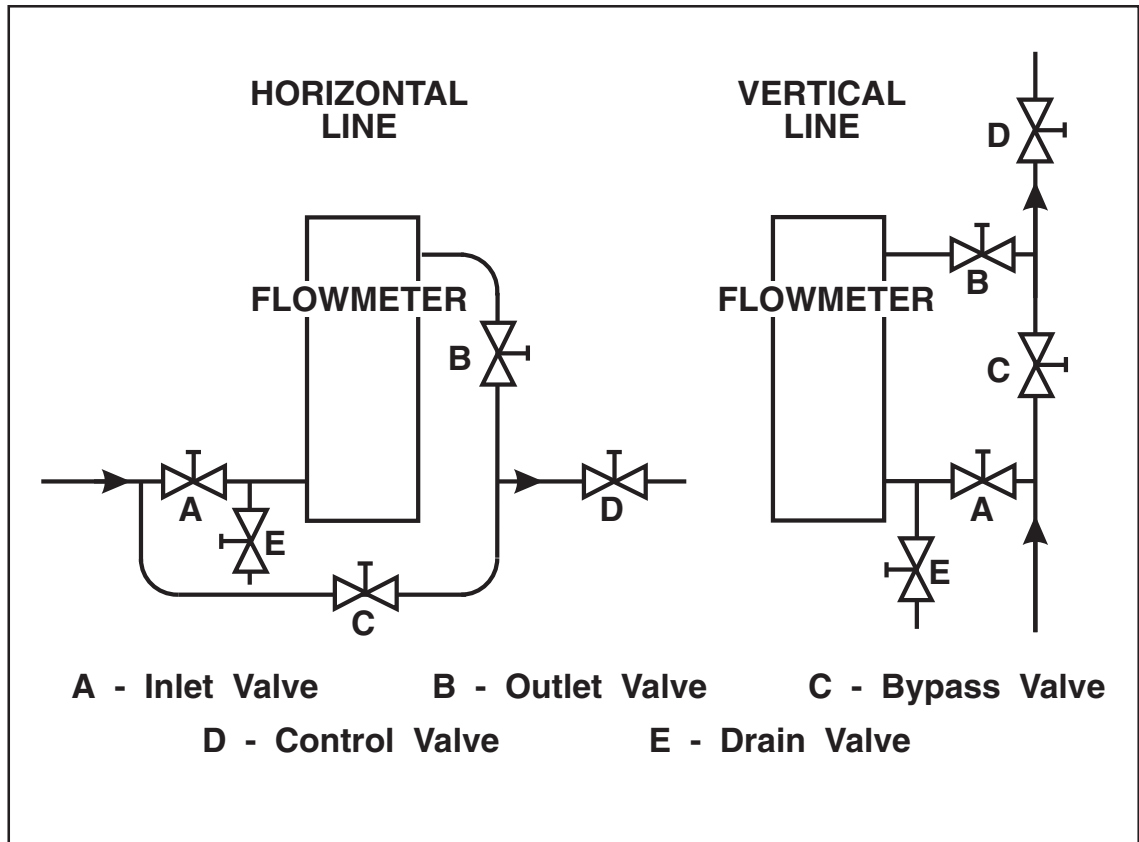
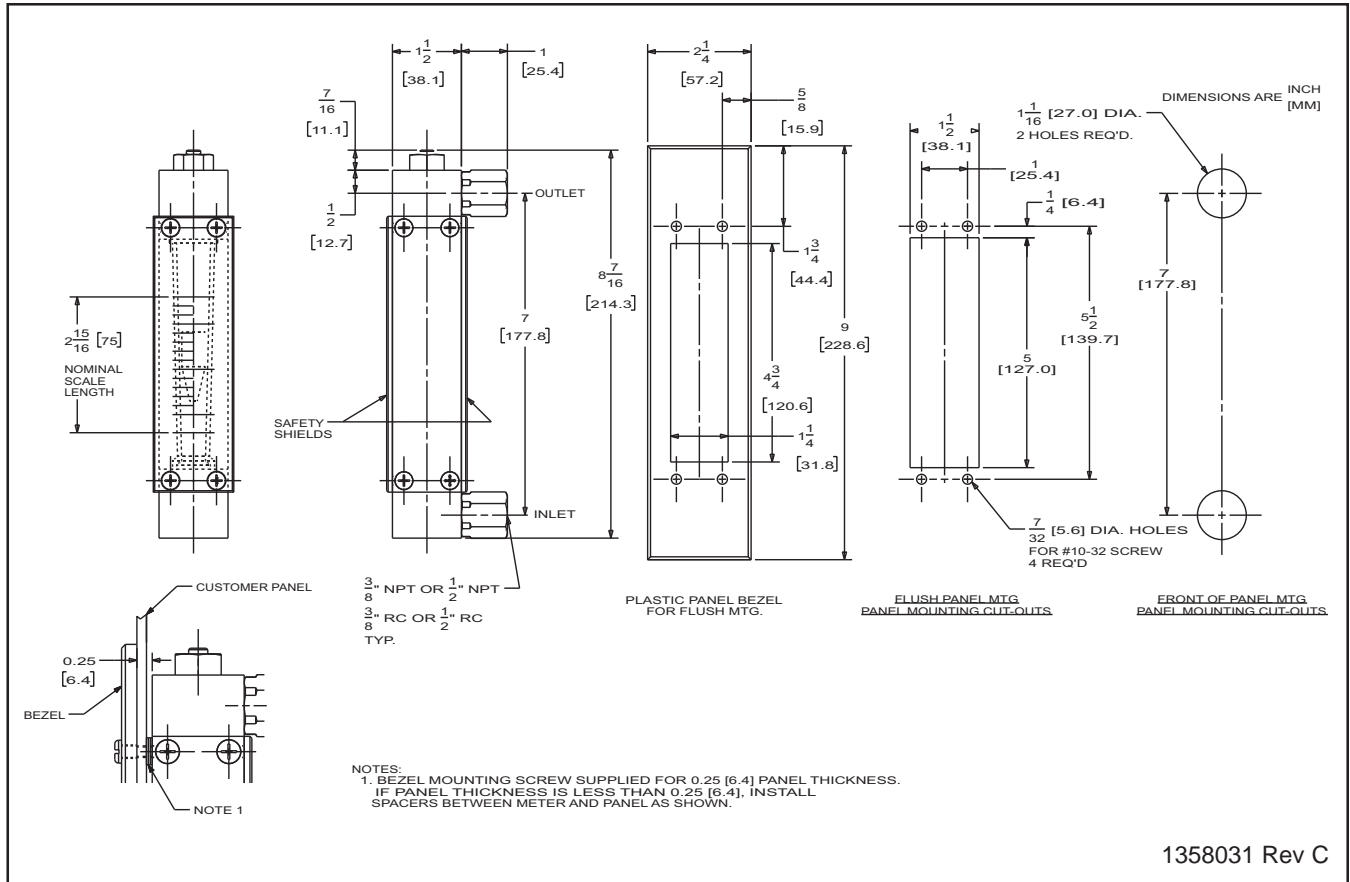


Figure 2-1 Typical Bypass Installation

**⚠ WARNING**

If the inlet and outlet valves adjacent to the flowmeter are to be closed for any reason, the flowmeter must be completely drained. Failure to do so may result in thermal expansion of the liquid which can cause rupture of the meter and possible personal injury.

Model 1358




1358031 Rev C

Figure 2-2 Front Panel Mounting

### 3-1 Operating Instructions

After the flowmeter has been properly installed in the system, it is ready for operation.

	<b>⚠ WARNING</b>
<b>GLASS TUBE EXPLOSION HAZARD</b>	
<p><b>Plastic protective sleeve must remain over glass tube. (Meter sizes 7 -13 only)</b></p> <p><b>Fasten meter windows securely.</b></p> <p><b>Do not operate above pressure and temperature limits.</b></p> <p><b>Avoid pressure and flow surges.</b></p> <p><b>Do not service or repair while pressurized.</b></p> <p><b>Read and understand instruction manual.</b></p> <p><b>Failure to comply could result in serious personal injury or property damage.</b></p>	

To initiate flow through a flowmeter using bypass piping, refer to Figure 3-1.

1. Close flowmeter isolation valves (A) and (B).
2. Fully open bypass valve (C) and slightly open control valve (D).
3. Initiate process flow. When flow has stabilized, fully open isolation valve (B), then slowly open isolation valve (A) fully.
4. Close bypass valve (C).
5. Regulate process flow using control valve (D).
6. If meter is left in bypass configuration, open drain valve (E) to prevent tube damage caused by thermal expansion of the process liquid.

<b>⚠ WARNING</b>
<p><b>If the inlet and outlet valves adjacent to the flowmeter are to be closed for any reason, the flowmeter must be completely drained. Failure to do so may result in thermal expansion of the liquid which can cause rupture of the meter and possible personal injury.</b></p>

<b>⚠ WARNING</b>
<b>GLASS TUBE EXPLOSION HAZARD</b>
<p><b>Protective sleeve must remain over glass tube. Fasten meter windows securely. Failure to comply could result in serious personal injury or property damage.</b></p>

Model 1358

Rate of flow is indicated by reading the increments inscribed on the metering tube or direct etched scale parallel with the metering edge of the float. For the correct reading edge of the float, refer to Figure 3-2.

**! CAUTION**

**A built-in needle control valve may be provided to control the flow through the flowmeter. These control valves are designed for fine control. Excessive tightening may damage the valve seat and limit its effectiveness as a control valve. If tight shut-off is required, it is recommended that a separate shut-off valve be installed in the line immediately before the flowmeter.**

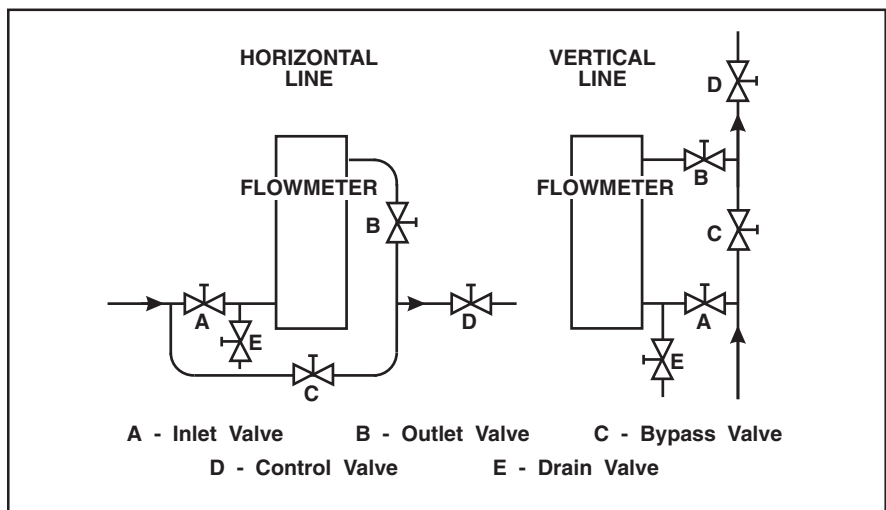


Figure 3-1 Typical Bypass Installation

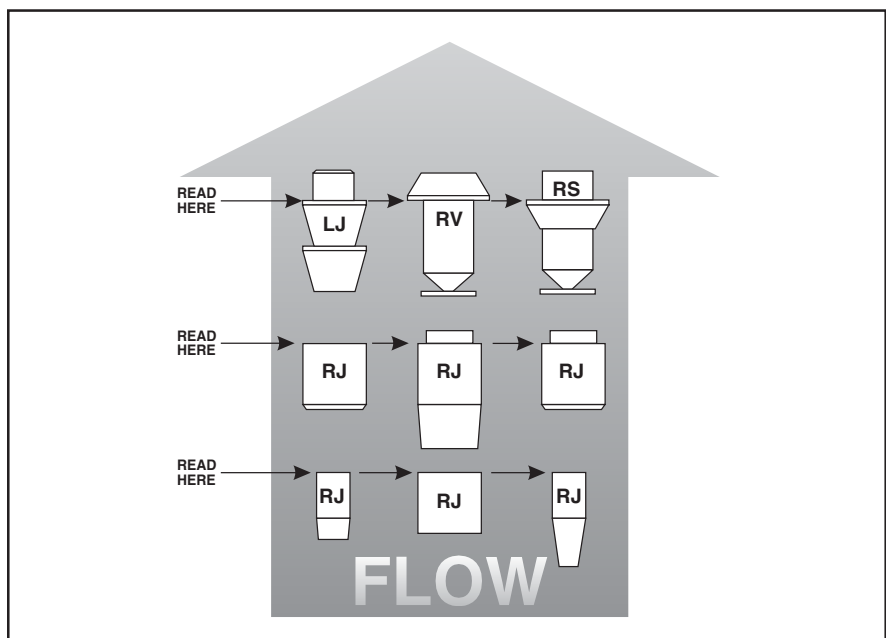



Figure 3-2 Reading Edge of floats



4-1 General

	<p><b>⚠ WARNING</b></p> <p><b>METER/CONTROLLER SEAL COMPATIBILITY</b></p>
<p>Products in this manual may contain metal or elastomeric seals, gaskets, O-rings or valve seats. It is the "user's" responsibility to select materials that are compatible with their process and process conditions. Using materials that are not compatible with the process or process conditions could result in the Meter or Controller leaking process fluid outside the pressure boundary of the device, resulting in personnel injury or death.</p> <p>It is recommended that the user check the Meter or Controller on a regular schedule to ensure that it is leak free as both metal and elastomeric seals, gaskets, O-rings and valve seats may change with age, exposure to process fluid, temperature, and /or pressure.</p>	

Model 1358 flowmeters require little maintenance except routine cleaning. It is necessary to remove the flowmeter from the line for tube and float cleaning. The tube and float may be cleaned with a soft absorbent swab. To disassemble the flowmeter proceed as follows:

- a. Remove the front and rear window shields.
- b. Loosen the seal spindle or jack screw by turning it counterclockwise with a 5/32" hex wrench.
- c. The tube may now be canted out of the meter housing.
- d. Remove the polycarbonate sleeve surrounding the flow tube.
- e. Remove the float and float stops from the tube.

<p><b>⚠ CAUTION</b></p> <p><b>Do not allow the float to fall out of the metering tube. A damaged float will affect the accuracy of the meter. Be careful not to break the tube by pulling on it at an extreme angle or applying excessive force.</b></p>
--

- f. Using a suitable solvent, carefully swab and flush the inside of the metering tube. Clean the float and blow dry all parts thoroughly.
- g. The packing seats may now be removed. It is recommended that the packing be replaced each time the meter is serviced.

Model 1358

---

- h. With the metering tube out, the seal spindle or jack screw may be rotated clockwise for removal. It should not be necessary to remove the seal spindle unless the O-ring which seals the spindle requires replacement. The O-ring may be used as long as it is not torn or distorted.
- i. The needle control valve assembly may be removed by turning the valve body counterclockwise. The valve seat, stem and packing then may be removed easily from the valve body for cleaning or replacement.

Reassemble the flowmeter as follows:

- a. Use the reverse of Steps a through e of the disassembly procedure to reassemble the meter.
- b. Prior to installing the needle control valve assembly make certain that the valve stem is turned completely counterclockwise (fully open position) to prevent damage to the valve seat.

** WARNING**

**Pressure test the meter before returning it to service. Hydrostatic pressure testing should be performed by qualified personnel or serious injury and/or damage to the equipment can result.**

5-1 General

When ordering parts please specify:  
Brooks Serial Number, Model Number, Part Number, Description and  
Quantity. Refer to Figures 5-1 and Tables 5-1.

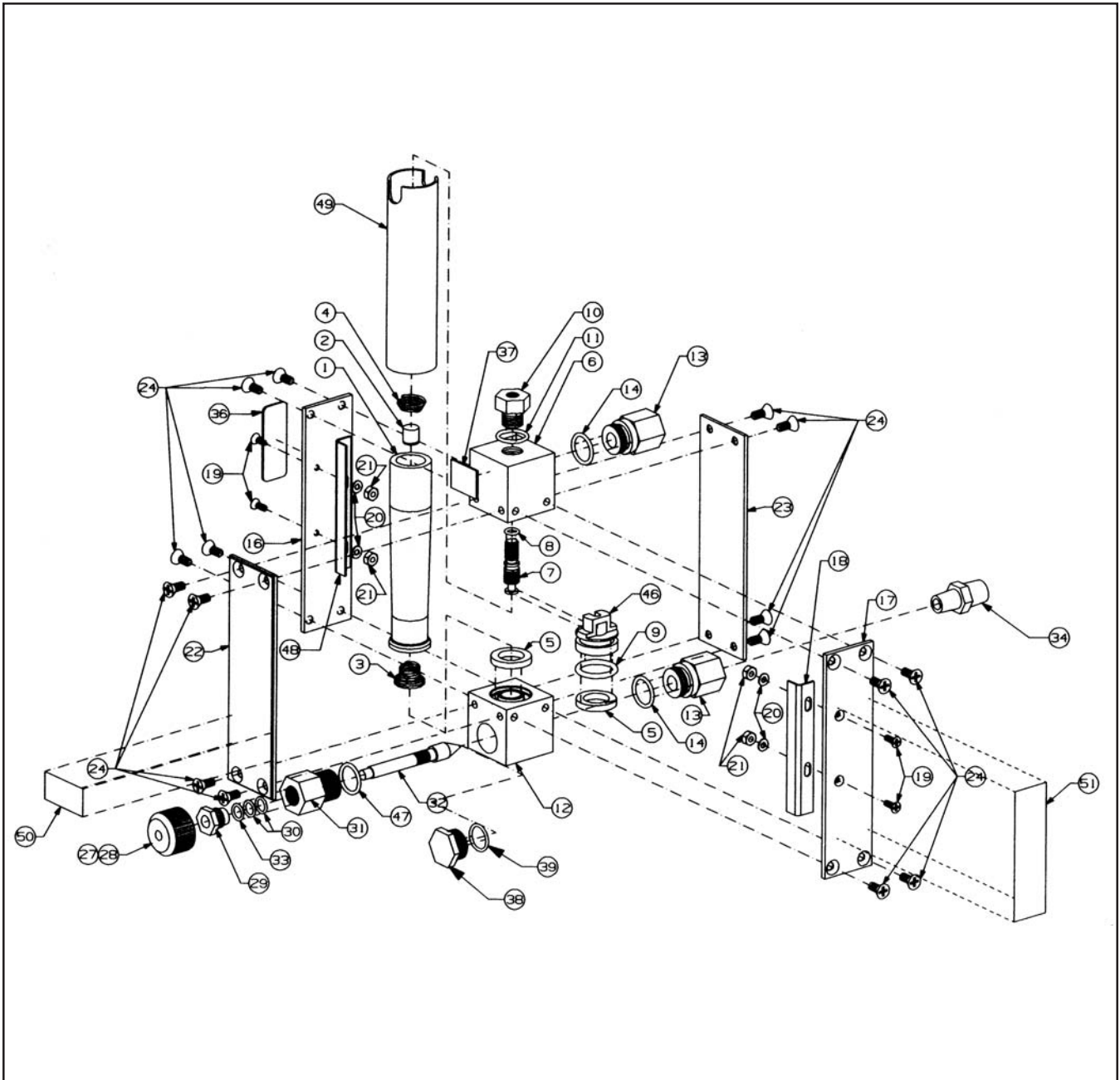


Figure 5-1 Exploded View, Size 8 Model 1358 Brooks Sho-Rate

## Model 1358

Table 5-1 Model 1358 Parts List

REF NO	QTY	DESCRIPTION	PART NO
1	1	GLASS METERING TUBE	PER S/N
2	1	316 S.S. FLOAT 8-RV-8 8-RJ-10 8-RJ-23 8-RJ-30 8-RJ-39	S346B148BMA 349D078BMA 349D080BMA 349D077BMA 349D076BMA
3	1	INLET FLOAT STOP SPRING FLOAT STOP 0.8, 3.5 & 5 GPM SPRING FLOAT STOP 1.5 & 2.5 GPM	820B253BMA 820B254BMA
4	1	OUTLET FLOAT STOP SPRING FLOAT STOP 0.8, 3.5 & 5 GPM SPRING FLOAT STOP 1.5 & 2.5 GPM	820B253BMA 820B254BMA
5	2	TUBE SEAL PACKING VITON EPM NEOPRENE TEFLON	589B043QTA 589B043SYA 589B043TDA 589B241QMA
6	1	SEAL END FITTING 316 SS BRASS	325G001BMF 325G001GGL
7	1	SEAL SPINDLE 316 SS BRASS	817A055BMA 817A055GGJ
8	1	SEAL SPINDLE O-RING VITON BUNA-N EPM KALREZ	375B010QTA 375B010SUA 375B010SYA 375B010TTA
9	1	SEAL PLUG O-RING VITON BUNA-N EPM KALREZ	375B211QTA 375B211SUA 375B211SYA 375B211TTA
10	1	JACKSCREW PLUG 316 SS BRASS	618J005BMA 618J005GGJ
11	1	JACKSCREW PLUG O-RING VITON BUNA-N EPM KALREZ	375B905QTA 375B905SUA 375B905SYA 375B905TTA
12	1	VALVE END FITTING W/VALVE: 316 SS W/VALVE: BRASS W/VALVE, FOR BASEPLATE: 316 SS W/VALVE, FOR BASEPLATE: BRASS NO VALVE: 316 SS NO VALVE: BRASS	325H002BMF 325H002GGL 325H064BMF 325H064GGL 325J006BMF 325J006GGL

Table 5-1 Model 1358 Parts List (Continued)

13	2	ADAPTER 3/8" NPT ADAPTER, NO LOCKNUT: 316 SS 3/8" NPT ADAPTER, NO LOCKNUT: BRASS 3/8" NPT ADAPTER, FOR LOCKNUT: 316 SS 3/8" NPT ADAPTER, FOR LOCKNUT: BRASS 1/2" NPT ADAPTER, NO LOCKNUT: 316 SS 1/2" NPT ADAPTER, NO LOCKNUT: BRASS	014C023BMA 014C023GGJ 014C034BMA 014C034GGJ 014C028BME 014C028GGJ
14	2	ADAPTER O-RING VITON BUNA-N EPM KALREZ	375B908QTA 375B908SUA 375B908SYA 375B908TTA
15	2	LOCKNUT FOR FRONT OF PANEL MOUNTING	573B018AC0
16	1	LEFT SIDE PLATE SS SIDE PLATE ALUMINUM SIDE PLATE SS SIDE PLATE FOR LEFT DET. SCALE ALUMINUM SIDE PLATE FOR LEFT DET. SCALE	614A008BMF 614A008FBJ 614A175BMF 614A175FBJ
17	1	RIGHT SIDE PLATE SS SIDE PLATE ALUMINUM SIDE PLATE SS SIDE PLATE FOR RIGHT DET. SCALE ALUMINUM SIDE PLATE FOR RIGHT DET. SCALE	614A008BMF 614A008FBJ 614A174BMF 614A174FBJ
18	1	RIGHT DETACHABLE SCALE	PER S/N
19	2	SCALE SCREW	753L267CEA
20	2	SCALE WASHER	962A006AWA
21	2	SCALE NUT	573D012AWA
22	1	FRONT WINDOW	794A012NZ%
23	1	BACK WINDOW	615A012PBA
24	16	SCREWS-SIDE PLATES & WINDOWS	753L424AWA
25	1	PLASTIC BEZEL BEZEL, W/VALVE BEZEL, NO VALVE	075B013NZD 075B025NZD
26	4	BEZEL MOUNTING SCREW	753A429AWA
27	1	VALVE KNOB	498C080NCQ
28	1	VALVE KNOB COVER	219Z237NCQ
29	1	VALVE PACKING NUT	573R012GGJ
30	2	VALVE O-RING VITON BUNA-N EPM KALREZ	375B011QTA 375B011SUA 375B011SYA 375B011TTA

## Model 1358

Table 5-1 Model 1358 Parts List (Continued)

31	1	VALVE BONNET 316 SS BRASS	950Z067BMA 950Z067GGJ
32	1	VALVE STEM	949Z198BMA
33	1	VALVE BACKING O-RING	375B011QMA
34	1	REDUCING BUSHING 3/8" NPT TO 1/4" NPT, SS 3/8" NPT TO 1/4" NPT, BRASS 3/8" NPT TO 3/4" NPT, SS	014B231BMA 014B231GGA 014B234BMA
36	1	WARNING LABEL	502Z969MYA
37	1	LOGO LABEL	502C329AAA
38	1	VALVE PLUG	618Q005BMA
39	1	VALVE PLUG O-RING VITON BUNA-N EPM KALREZ	375B908QTA 375B908SUA 375B908SYA 375B908TTA
40	1	TRIANGULAR BASE PLATE	594B064NQA
41	1	SPIRIT LEVEL FOR BASEPLATE	515B011AAA
42	3	THUMB SCREW FOR BASEPLATE	753H404GGL
43	1	STANDOFF FOR BASEPLATE	830Z001GGH
44	1	SCREW FOR BASEPLATE	751E510AWA
45	2	SNAP PLUG FOR BASEPLATE	620Z172AAA
46	1	SEAL PLUG 316 SS BRASS	618Z021BMA 618Z021GGJ
47	1	VALVE BONNET O-RING VITON BUNA-N EPM KALREZ	375B908QTA 375B908SUA 375B908SYA 375B908TTA
48	1	LEFT DETACHABLE SCALE	PER S/N
49	1	PROTECTIVE PLASTIC SLEEVE	794Z133NZA
<b>REF NO</b>	<b>QTY.</b>	<b>LABEL</b>	
50	1	WARNING LABEL	502Y449MYA
51	1	WARNING LABEL	502Y445MYA

## Bulgarian

### Основни инструкции Прочетете преди работа!

Brooks Instrument проектира, произвежда и тества продуктите си по такъв начин, че те да отговарят на многобройни национални и международни стандарти. Тези оборудвания трябва правилно да се инсталират, експлоатират и поддържат за да се гарантира, че ще могат да работят съответно на техните нормални спецификации. Следващите инструкции трябва да се спазват и трябва да се включат в програмата за безопасност на труда при инсталирането, експлоатацията и поддръжката на продуктите на Brooks Instrument.

- За да се гарантира характерната производителност, инсталирането, експлоатацията, актуализирането, програмирането и поддръжката на продукта трябва да се извършват само от квалифициран персонал.
- Прочетете всички инструкции преди инсталирането, експлоатацията и поддръжката на продукта. Ако това ръководство не е съответстващото издание, вижте на задната обложка информацията за контакт с местния търговски офис. Запазете това ръководство за по-късно информиране.

**▲ ВНИМАНИЕ: Не работете с оборудването извън диапазоните, указани в инструкцията и ръководството по експлоатация. Неизпълнението на това може да доведе до сериозни телесни повреди и / или повреждане на оборудването.**

- Ако не разбирате някои инструкциите, свържете се с представителя на Brooks Instrument за изясняване на проблема.
- Спазвайте всички предупреждения, призови и инструкции означени върху оборудването или доставени заедно с него.
- Инсталирайте оборудването съответно на указанията в инструкцията за инсталиране и на действащите на местни и национални предписания. Свързвайте продуктите само към подходящи източници на електричество и налягане.
- Ход: (1) Бавно въведете системата под налягане. Бавно отворете работните клапани за да се избегнат колебанията на потока. (2) Проверете дали няма изтичане при входното и изходното съединение на разходомера. Ако няма изтичане, напълнете системата до работно налягане.
- Преди извършване на поддръжката непременно проверете дали работният тръбопровод не се намира под налягане. Ако са необходими резервни части, с определените от Brooks Instrument резервни части трябва да борави само квалифициран персонал. Неразрешените части и процедури могат да окажат влияние върху работата на продукта, и също да застрашат безопасността на експлоатацията. Заместването с неоригинални части може да доведе до пожар, опасност от токов удар или неправилна работа.
- Всички врати на оборудването непременно да бъдат затворени, а защитните покрития да бъдат на мястото си, за да се избегнат токовите удари и телесните повреди, освен ако квалифицирани специалисти извършват работи по неговото поддържане.

**▲ ВНИМАНИЕ: При оборудването с протичащи течности, ако по някаква причина е необходимо да се затворят намиращите се до оборудването изходни и входни клапани, оборудването трябва напълно да се изпразни. Неизпълнението на това може да причини топлинно разширение на течността, което може да спуква оборудването и да доведе до телесни повреди.**

### Европейска директива за уреди под налягане (PED)

Всички съоръжения под налягане с вътрешно налягане над 0,5 bar (g) и с размер по-голям от 25 mm или 1" (инч), попадат под действието на европейската директива за уреди под налягане (PED).

- Глава „Технически данни“ на настоящото ръководство съдържа свързаните с директивата PED инструкции.
- Указаните в настоящото ръководство измерителни уреди съответстват на европейската директива 97/23/ЕО.
- Всички разходомери на Brooks Instrument се отнасят към флуиди от група 1.
- Измерителните уреди по-големи от 25 mm или 1" (инч) съответстват на I, II или III категория според PED.
- Измерителните уреди с размери 25 mm или 1" (инч), или по-малки, следват добрата инженерна практика (SEP).

### Европейска директива за електромагнитна съвместимост (EMC)

Носещото знака CE (електрическо/електронно) оборудване на Brooks Instrument е изпълнило успешно тестовете за проверка на изискванията за електромагнитна съвместимост (директива EMC 89/336/ЕИО).

Особено внимание трябва да се обърща обаче на избраното на сигналните кабели, използвани с оборудването, носещо знака CE.

**Качество на сигналните кабели, кабелните салници и съединители:**

Brooks Instrument предлага висококачествени кабели, отговарящи на изискванията на CE сертификацията.

Ако използвате собствен сигнален кабел, трябва да изберете такъв, който е напълно защитен със 100%-ово екраниране.

Съединителите тип „D“ или „кръгов“ трябва да бъдат екранирани с метален щит. При необходимост за фиксирането на щита на кабела трябва да се използват метални кабелни салници.

Щитът на кабела трябва да се свърже с металното покритие или металния салник и в двата края да се екранира в 360°. Щитът трябва да бъде заземен.

Съединителите за печатни платки са стандартно неметални. Използваните кабели трябва да бъдат защитени със 100%-ово екраниране, за да отговарят на CE сертификацията.

Щитът трябва да бъде заземен.

Конфигурация на контактите: Виж приложената инструкция за експлоатация.

### Електростатичен разряд (ESD)

**▲ ВНИМАНИЕ: Приборът съдържа електронни компоненти, които са чувствителни към статичното електричество и могат да се повредят от него. Трябва да се спазват съответните процедури по време на изваждане, слагане или друго боравене с вътрешните монтажни платки и устройства.**

**Процедура за работа:**

1. Изключете оборудването.
2. Персоналът трябва да се заземи с гривна или друго безопасно и подходящо за целта средство, преди да инсталира, изважда или регулира монтажна платка или друго вътрешно устройство.
3. Печатните монтажни платки трябва да се транспортират в проводяща опаковка. Печатните платки могат да се изваждат от защитното покритие само непосредствено преди инсталирането. Отстранените печатни платки незабавно трябва да се сложат в защитна опаковка, служеща за транспортиране, складиране или връщане на производителя.

**Забележки:**

Не е уникално явление, че този прибор съдържа чувствителни към електростатичния заряд (ESD) компоненти. Болшинството от съвременните електронни прибори съдържат компоненти, изготвени по технология метал-окис (NMOS, SMOS и т.н.). Опитът доказва, че даже и малко количество статическо електричество може да повреди или съсипе тези прибори. Повредените компоненти даже ако привидно работят правилно, проявяват начални неизправности.



## Model 1358

## Czech

### Základní instrukce

#### Před instalací si přečtěte následující instrukce!

Společnost Brooks Instrument konstruuje, vyrábí a testuje tento produkt tak, aby splnil mnoho národních a mezinárodních standardů. Přístroje musí být řádně nainstalovány, používány a udržovány tak, aby byl zajištěn jejich nepřetržitý provoz v rámci normálních technických specifikací. Musíte dodržovat následující pokyny a integrovat jejich obsah do svého bezpečnostního programu při instalování, používání a udržování produktů společnosti Brooks.

- Pro zajištění správné funkce zařízení mohou jeho instalaci, obsluhu, programování, údržbu a aktualizace firmwaru provádět výhradně kvalifikované osoby.
- Před instalací, provozem a údržbou produktu si prostudujte všechny pokyny. Pokud tato příručka není tou správnou příručkou pro dané zařízení, informujte se na zadní straně obálky o kontaktu na místní prodejní kancelář. Uchovejte si tuto příručku pro pozdější potřebu.

**▲ UPOZORNĚNÍ: Neprovozujte zařízení v rozsahu mimo daný rozsah v provozní příručce. Porušení tohoto upozornění může mít za následek vážné újmy na zdraví a vést k poškození zařízení.**

- Pokud některým pokynům nerozumíte, kontaktujte svého prodejního zástupce společnosti Brooks a vyžádejte si objasnění.
- Dodržujte všechny výstrahy, upozornění a pokyny, uvedené a vyznačené na produktu, nebo s ním dodané.
- Namontujte zařízení specifikovaným způsobem podle správné montážní příručky a podle platných místních a národních předpisů. Připojte všechny produkty ke správným zdrojům elektrické energie a stlačených médií.
- Postup: (1) Pomalu do systému přivádějte médium. Pro zabránění vzniku rázů v systému otvírejte procesní ventily postupně. (2) Překontrolujte těsnost vstupního a výstupního připojení průtokoměru. Pokud nezjistíte žádné netěsnosti, postupně zvedejte tlak na provozní hodnotu.
- Před prováděním servisních prací zkontrolujte, zda systém není pod tlakem. V případě potřeby výměny dílů zajistěte, aby byly použity náhradní součásti specifikované společností Brooks Instrument a výměnu prováděla kvalifikovaná osoba. Použití neschválených dílů a postupů může negativně ovlivnit efektivitu a bezpečnost procesu. Použití náhrad za originální díly může způsobit požár, úraz elektrickým proudem nebo nesprávnou funkci.
- Pokud není zrovna prováděna údržba kvalifikovanou osobou, ujistěte se, že zařízení je opatřeno všemi předepsanými kryty.

**▲ UPOZORNĚNÍ: Pokud je u zařízení s průtokem kapalin nutno z jakéhokoli důvodu uzavřít vstupní a výstupní ventily, je nutné zařízení kompletně vyprázdnit. Pokud tak neučiníte, může z důvodu teplotní roztažnosti zbytků média v zařízení dojít k jeho poškození nebo k ohrožení zdraví osob.**

### Evropská směrnice pro tlakové zařízení (PED)

Na veškerá tlaková zařízení s vnitřním tlakem vyšším než 0,5 baru (g) a velikosti větší než 25 mm nebo 1" (palec) se vztahuje platnost směrnice o tlakovém zařízení (PED).

Kapitola „Technické údaje“ v této příručce obsahuje důležité bezpečnostní a provozní pokyny související se směrnicí PED.

- Měřicí přístroje popsané v této příručce jsou v souladu se směrnicí EN 97/23/ES.
- Všechny průtokoměry společnosti Brooks Instrument spadají do rámce Kapaliny, skupina I.
- Měřicí přístroje větší než 25 mm nebo 1" (palec) jsou v souladu se směrnicí PED, kategorií I, II nebo III
- Měřicí přístroje s velikostí 25 mm nebo 1" (palec) a menší spadají do rámce Správných technických postupů (SEP).

### Evropská směrnice pro elektromagnetickou kompatibilitu (EMC)

Elektrické/elektronické zařízení Brooks Instrument nesoucí značku CE bylo úspěšně testováno dle předpisů pro elektromagnetickou kompatibilitu (směrnice EMC č. 89/336/EHS).

Výběru signálních kabelů pro použití se zařízením označeným CE je nutné věnovat zvláštní pozornost.

#### **Kvalita signálních kabelů, kabelových průchodek a konektorů:**

Brooks Instrument dodává vysoce jakostní kabely splňující požadavky kvalitativního zařazení CE. Pokud chcete použít vlastní signální kabely, zvolte typy s kvalitním stíněním všech žil a v celé délce trasy.

V případě použití konektorů kruhových nebo tvaru „D“, musí mít tyto kovové stínění. V případě jejich použití, musí kovové kabelové průchodky být propojeny se stíněním kabelu.

Stínění by mělo být připojené ke kovovému tělesu přístroje nebo krytu, na obou koncích kabelu a po celém jeho obvodu.

Stínění by mělo být uzemněno.

Připojky vedoucí ke kartám podle norem jsou nekovové. Pro splnění požadavků předpisů CE musí být použité kabely kompletně stíněny.

Stínění by mělo být uzemněno.

Konfigurace kontaktů je uvedena v příloženém návodu k obsluze.

### Elektrostatický výboj (ESD)

**▲ UPOZORNĚNÍ: Tento přístroj obsahuje komponenty citlivé na poškození statickou elektřinou. Při montáži, demontáži či jiné manipulaci s vnitřními elektronickými obvody je potřeba dodržovat příslušné postupy.**

#### **Postup ošetřování:**

1. Odpojte přístroj od napájení.
2. Osoba provádějící údržbu má být při instalaci, vyjímání či práci na desce plošných spojů nebo jiné vnitřní elektronice uzemněna zemnicím náramkem, nebo jiným vyhovujícím způsobem.
3. Desky plošných spojů je nutné přepravovat v elektricky vodivém obalu. Plošné spoje vyjímajte z vodivého obalu až bezprostředně před instalací do přístroje! Plošné spoje vyjmuté z přístroje a určené pro další využití, opět neprodleně umístěte do ochranného obalu.

#### **Poznámky:**

Existence prvků, citlivé na elektrostatické výboje (ESD) v přístrojích je častým jevem. Prvky s technologií oxidu kovů (NMOS, SMOS) jsou používány u většiny moderních elektronických zařízení. Zkušenosti dokazují, že i jen malé elektrostatické výboje mohou poškodit nebo zničit tyto zařízení. U poškozených součástek, jakkoli zdánlivě pracujících bezchybně, dochází brzy k poruše.



## Dansk

**Grundlæggende vejledninger**  
**Læs disse før anvendelse!**

Brooks Instruments designer, fremstiller og afprøver sine produkter således, at de tilpasser sig både de indenrigs og internationale standarder. Disse udstyr bør installeres, bruges og reparerer omhyggeligt, så at de kan virke tilsvarende deres normale anvendelsesperiode. De følgende regler skal overholdes og implementeres under installationen samt ved brug og reparation.

- For at garantere den passende kapacitet, er udstyrets installation, anvendelse, opdatering, programmering kun tilladt for kvalificeret personale. Alle vejledninger skal læses før produktets installation, anvendelse og reparation.
- Hvis denne manual ikke er den passende udgave, kontakt venligst jeres leverandør for yderligere information.
- Det anbefales at gemme denne manual for senere brug.

**▲ OBS.: Udstyret må ikke anvendes til andet end det er angivet i brugsanvisningen. Hvis denne regel brydes, kan der forekomme alvorlige personskader eller brist på udstyret.**

Hvis vejledningerne ikke er forståelig, kontakt venligst Deres Brooks repræsentant for at afklare problemet som er opstået.

- Overhold alle regler, som er markeret eller leveret sammen med udstyret.
- Installer udstyret efter den angivne installationsvejledning og gældende lovgivning for anvendelsesområde. Udstyret må kun tilsluttes med kabler og stik som overholder kravspecifikationerne i vejledningen.
- Ibrugtagning: (1) Åbn langsomt for trykket i systemet.. Åbn langsomt for alle procesventiler for at forhindre ustabil gas flow. (2) Tjek systemet for lækage ved tilsluttet måleinstrumenter, samlinger og andet tilsluttet udstyr. Derefter øg trykket i systemet indtil arbejdsstrykket er opnået.
- For reparation tjek altid at procesledningen ikke står under tryk. Hvis der er brug for at udskifte defekte dele må kun kvalificeret personale udføre arbejdet og af sikkerhedsmæssige årsager må der kun anvendes originale Brooks reservedele. Det er ikke tilladt at anvende reservedele eller udføre arbejde der på nogen måde kan ændre produktet fra dens oprindelige specifikationer. Manglende overholdelse af de foreskrevne procedurer kan resultere i brænd, og fare for elektrisk stød eller kortslutning.
- Af sikkerhedsmæssige årsager sørg for at alle sikkerhedsforanstaltninger er overholdt. Eksempelvis at alle afskærmninger eller anden form for installationsbeskyttelse er lukket eller installeret ved normal drift.

**▲ Advarsel.: Ved brug af udstyr som anvendes til væske skal det sikres at indgangsventilen og udgangsventilen ikke bliver lukket på samme tid i forbindelse med aftapning. Såfremt dette ikke overholdes, er der risiko for at væsken på grund af varmeudvikling ekspanderer og dette kan forårsage skade på udstyr og personer.**

**Det Europæiske direktiv for trykudstyr (PED)**

På alt udstyr hvis indgangstryk er større end 0,5bar (g) og større end 25 mm eller en tomme, gælder det europæiske direktiv for trykapparater. Manualens afsnit "tekniske data" indeholder anvisninger om PED direktivet.

- I manualen angives måleinstrumenter der er tilpasset direktivet 97/23/EK EU.
- Alle Brooks gennemstrømningsmålere tilhører væskegruppen nr. 1.
- Alle måleinstrumenter som er større end 25 mm eller en tomme beskrives i direktivet PED's kategorier I, II eller III.
- Alle måleinstrumenter som er på 25 mm eller en tomme, eller mindre, beskrives i Sound Engineering Practice (SEP).

**Det europæiske direktiv for elektromagnetisk kompatibilitet (EMC)**

Alle Brooks instrumenter (elektrisk/elektronisk) som har CE markering er godkendt og testet ifølge direktiv nr. 89/336/EGK EMC om elektromagnetiske kompatibilitets forskrifter.

OBS: Man skal være opmærksom på hvilken type kabler der bruges til CE mærket udstyr..

**Om kvalitet af signalkabler, kabeltilslutninger og koblinger:**

Brooks tilbyder kabler af højest kvalitet, som er tilpasset CEE kvalificeringens forskrifter. Hvis man vælger at bruge egne kabler, skal man vælge et kabel som har den nødvendige afskærmning for at sikre 100 % mod udefra kommende støj.

Tilslutningerne "D" eller rundformede tilslutninger skal være afskærmet med skal af metal.

Stikket skal være afskærmet på alle sider. Al afskærmning skal jordes..

Card Edge tilslutninger er ifølge standarden ikke metalliske.. De anvendte kabler og stik skal være 100 % afskærmet for at opfylde CE kravene.. De skal ligeledes jordes.

For stik konfigurationen se vedlagte brugsvejledning.

**Elektrostatisk afladning (ESD)**

**▲ OBS.: Udstyret indeholder tilbehør som kan skades ved elektrostatisk elektricitet. Alle forskrifter skal overholdes ved kontakt med alle elektriske komponenter både under drift og vedligeholdelse..**

**Behandlingsproceduren:**

1. Sluk for al strømtilførsel til udstyret.
2. Personer som skal i kontakt med udstyret skal være jordet eller bære anden form for elektrisk beskyttende udstyr. Manglende overholdelse af dette kan medføre skader på alle elektriske komponenter.
3. Alle elektriske komponenter skal opbevares eller transporteres i deres originale indpakning for at sikre komponenter mod statiske elektriske skader. Emballagen må ikke åbnes før komponenten skal installeres i udstyret. Ved afslutning af vedligeholdelse/reparation af udstyret, skal udstyret installeres med det samme eller pakkes forsvarligt hvis det skal på lager eller transporteres.

**Bemærkninger:**

Dette udstyr er ikke unik i den hensigt, at det indeholder for elektrostatisk afladning (ESD) sensitive reservedel. I de fleste elektronisk udstyr findes der metaloxyd teknologiske reservedel (NMOS, SMOS m.m.). Erfaringerne viser at selv den mindste statiske elektricitet kan skade, eller ødelægge disse instrumenter. Selv en fungerende elektrisk del kan have levetiden markant reduceret på grund af statisk elektricitet..

## Model 1358

## Dutch

### Essentiële instructies

#### Lees ze voordat u verder gaat!

Brooks Instrument ontwerpt, produceert en test haar producten zodanig dat ze voldoen aan vele nationale en internationale normen. Deze producten moeten correct worden geïnstalleerd, bediend en onderhouden zodat ze binnen hun normale specificaties blijven werken. De volgende instructies moeten worden toegevoegd aan en geïntegreerd in uw veiligheidsprogramma als u producten van Brooks Instrument installeert, bedient en onderhoudt.

- Om de juiste prestaties te kunnen garanderen mag alleen gekwalificeerd personeel het product installeren, bedienen, updaten, programmeren en onderhouden.
- Lees alle instructies voordat u het product gaat installeren, bedienen en onderhouden. Als dit niet de juiste handleiding is, kijk dan op de achterzijde voor contactinformatie van uw vertegenwoordiger. Bewaar deze handleiding voor later.

**WAARSCHUWING: gebruik dit instrument niet als niet is voldaan aan de specificaties in de handleiding. Het niet naleven van deze waarschuwing kan ernstig letsel en/of schade aan de apparatuur tot gevolg hebben.**

- Als u één of meer instructies niet begrijpt, vraag dan om uitleg aan uw vertegenwoordiger van Brooks Instrument.
- Neem alle waarschuwingen, voorschriften en instructies in acht die op het product zijn aangebracht of bij het product zijn geleverd.
- Installeer uw apparatuur volgens de instructies in de bijgeleverde handleiding en in overeenstemming met de geldende lokale en nationale voorschriften. Sluit alle producten aan op de juiste elektrische voedings- en drukbronnen.
- Bediening: (1) Laat het systeem langzaam volstromen. Open de procesafsluiters langzaam om drukstoten te voorkomen. (2) Controleer op lekkages rondom de inlaat- en uitlaataansluitingen van de stromingsmeter. Als er geen lekkages zijn, kan het systeem op de bedrijfsdruk worden gebracht.
- Zorg ervoor dat de procesleiding drukvrij is gemaakt voordat u servicewerkzaamheden gaat uitvoeren. Als vervangingsonderdelen nodig zijn, zorg er dan voor dat gekwalificeerd personeel de door Brooks Instrument gespecificeerde vervangingsonderdelen gebruikt. Niet goedgekeurde onderdelen en procedures kunnen de prestaties van het product en de veilige werking van uw proces in gevaar brengen. Niet goedgekeurde vervangingsonderdelen kunnen brand, elektrische schokken of een onjuiste werking tot gevolg hebben.
- Zorg ervoor dat alle deksels van de apparatuur gesloten zijn en de afdekkingen gemonteerd zijn om elektrische schokken en lichamelijk letsel te voorkomen, behalve als gekwalificeerd personeel de onderhoudswerkzaamheden uitvoert.

**WAARSCHUWING: bij vloeistofstroomapparaten waarvan de inlaat- en uitlaatkleppen om welke reden dan ook gesloten zijn, moet de vloeistof volledig worden afgetapt. Als dat wordt nagelaten, kan dit leiden tot thermische expansie van de vloeistof waardoor het apparaat kan barsten en lichamelijk letsel kan veroorzaken.**

### PED-richtlijn (Pressure Equipment Directive)

Alle drukapparatuur met een interne druk van meer dan 0,5 barg en een diameter van meer dan 25 mm valt onder de PED-richtlijn.

- In het hoofdstuk Specificaties van deze handleiding staan aanwijzingen die verband houden met de PED-richtlijn.
- De meters die in deze handleiding worden beschreven, voldoen aan de Europese richtlijn 97/23/EG.
- Alle stromingsmeters van Brooks Instrument vallen in groep 1.
- Meters met een diameter van meer dan 25 mm voldoen aan de categorieën I, II of III van de PED-richtlijn.
- Meters met een diameter van 25 mm of kleiner voldoen aan de regels van goed vakmanschap.

### Elektromagnetische compatibiliteit (EMC)

De elektronische apparatuur van Brooks Instrument met de CE-markering is succesvol getest in overeenstemming met de EMC-voorschriften volgens richtlijn 89/336/EEG.

De keuze van de signaalkabel voor gebruik in combinatie met apparatuur met CE-markering verdient speciale aandacht.

#### Kwaliteit van de signaalkabel, kabelafdichtingen en stekkers:

Brooks Instrument levert hoogwaardige kabels die voldoen aan de specificaties voor de CE-markering.

Als u zelf voor signaalkabel zorgt, moet u altijd een volledig afgeschermd kabel gebruiken.

Stekkers van het type "D" of ronde stekkers moeten zijn voorzien van een metalen afscherming. Indien nodig moeten metalen kabelafdichtingen worden gebruikt waarvan de afscherming voor het klemmen van de kabel kan worden gebruikt.

Het kabelschermd moet met het metalen omhulsel of de metalen afdichting worden verbonden en aan beide uiteinden rondom volledig worden afgeschermd.

De afscherming moet aan de aardpotentiaal worden aangesloten.

Card Edge Connectors zijn standaard niet van metaal. De gebruikte kabels moeten volledig zijn afgeschermd om te voldoen aan de CE-markering.

De afscherming moet aan de aardpotentiaal worden aangesloten.

Voor de pinconfiguratie: Raadpleeg de bijgevoegde handleiding.

### Elektrostatische ontlading

**VOORZICHTIG: Dit instrument bevat elektronische componenten die gevoelig zijn voor statische elektriciteit. Neem de juiste procedures in acht bij het verwijderen en installeren of bij andere werkzaamheden aan de interne printplaten of apparaten.**

#### Procedure:

1. Schakel de voeding van de eenheid uit.
2. Het personeel moet zich met een polsbandje of ander veilig en geschikt hulpmiddel aarden voordat een printplaat of ander intern apparaat mag worden geïnstalleerd, verwijderd of aangepast.
3. Printplaten moeten in een geleidende verpakking worden vervoerd. De platen mogen pas vlak voor de eigenlijke installatie uit de beschermende verpakking worden gehaald. Verwijderde printplaten moeten onmiddellijk in de beschermende verpakking worden geplaatst om te worden getransporteerd, opgeslagen of teruggestuurd naar de fabriek.

#### Opmerkingen

Dit instrument is niet uniek als het gaat om componenten die gevoelig zijn voor elektrostatische ontlading. De meeste moderne elektronische apparaten bevatten componenten die gebruik maken van de metaaloxidede technologie (NMOS, SMOS, enz.). Uit ervaring blijkt dat zelfs kleine hoeveelheden statische elektriciteit deze apparaten al dan niet onherstelbaar kunnen beschadigen. Beschadigde componenten, zelfs als ze goed lijken te functioneren, raken eerder defect.

## Estonian

## Olulised juhised Enne kasutamist lugege hoolikalt läbi!

Brooks Instrument konstrueerib, valmistab ja katsetab oma tooteid selliselt, et need vastaksid paljude erinevate riiklike ja rahvusvaheliste standardite nõuetele. Ainult nõuetekohane paigaldamine, kasutamine ja hooldamine tagab toodete katkematu talitluse tavaspetsifikatsiooni raames. Brooks Instrument'i toodete paigaldamisel, kasutamisel ja hooldamisel tuleb täita alljärgnevat juhiseid ja integreerida need asjakohasesse ohutusprogrammi.

- Nõuetekohase talitluse tagamiseks tohib toodet paigaldada, kasutada, täiustada, programmeerida ja hooldada ainult kvalifitseeritud personal.
- Enne toote paigaldamist, kasutamist ja hooldamist lugege kõik kasutusjuhised hoolikalt läbi. Kui käesolev kasutusjuhend ei vasta teie tootele, pöörduge kohaliku edasimüüja poole, kelle kontaktandmed leiate kasutusjuhendi tagakaanelt. Hoidke see kasutusjuhend edaspidiseks alles.
- ▲ **HOIATUS: ärge kasutage seda instrumenti väljaspool kasutusjuhendis spetsifitseeritud piirväärtusi. Selle hoiatuse eiramine võib põhjustada tõsiseid kehavigastusi ja/või kahjustada seadet.**
- Kui te saa mõne juhise mõttest aru, pöörduge selgituste saamiseks kohaliku Brooks Instrument'i edasimüüja poole.
- Järgige kõiki hoiatusi, tähelepanule manitsusi ja juhiseid, mis on tootele peale kantud või tootega kaasa antud.
- Seadme paigaldamisel järgige vastavas kasutusjuhendis toodud paigaldusjuhiseid ning asjakohaseid kohalikke ja riiklikke eeskirju. Ühendage tooted nõuetekohaste toite- ja surveallikatega.
- Talitus: (1) Avage aeglaselt vool süsteemi. Vooluimpulsside vältimiseks avage tööventiilid aeglaselt. (2) Kontrollige, et voolukulumõõduri sisend- või väljundühenduste ümber ei ole lekkeid. Kui lekkeid ei ole, laske süsteemil saavutada töösurve.
- Enne seadme hooldamist veenduge, et kogu süsteem on surve alt vabastatud. Varuosasid tohib vahetada ainult kvalifitseeritud personal, kasutades selleks Brooks Instrument'i poolt heakskiidetud varuosi. Mitteoriginaalvaruosade kasutamine ja ebapädev toimingute tegemine võivad kahjustada toote tööomadusi ja põhjustada riski tootmistugevuse ohutuse tagamisel. Originaalvaruosadele sarnaste osade kasutamine võib põhjustada tule- või elektrilöögiohtu või seadme väärtahtlust.
- Elektrilöögi- ja vigastuseohtu vältimiseks peavad seadme luugid olema alati suletud ja kaitsekatted oma kohal, va seadme hooldamisel kvalifitseeritud isikute poolt.
- ▲ **HOIATUS: voolava vedelikuga seadmete kasutamisel – kui seadmega külgnevad sisend- ja väljundklapid on vaja mingil põhjusel sulgeda, tuleb seadmed vedelikust täiesti tühjaks lasta. Vastasel korral võib vedelik soojuste mõjul paisuda niivõrd, et seade puruneb. See võib põhjustada tõsiseid kehavigastusi.**

### Euroopa surveseadmete direktiiv (PED)

Euroopa surveseadmete direktiiv kohaldub kõikidele surveseadmetele, mille sisesurve on üle 0,5 baari (g) ja läbimõõt üle 25 mm või 1 tolli.

- Käesoleva kasutusjuhendi spetsifikatsiooniosa sisaldab surveseadmete direktiiviga seonduvat juhiseid.
- Käesolevas kasutusjuhendis kirjeldatud mõõturid vastavad EN direktiivi 97/23/EÜ nõuetele.
- Brooks Instrument'i voolukulumõõturid kuuluvad vedelike 1. gruppi.
- Mõõturid läbimõõduga üle 25 mm või 1 tolli vastavad surveseadmete direktiivi kategooriale I, II või III.
- Mõõturitele läbimõõduga alla 25 mm või 1 tolli kohaldatakse häid inseneritavasid.

### Euroopa elektromagnetilise ühilduvuse direktiiv (EMÜ)

Brooks Instrument'i (elektrilised/elektroonilised) seadmed, millele on omistatud CE-tähis, on edukalt läbinud asjakohased katsed ja vastavad elektromagnetilise ühilduvuse nõuetele (EMÜ direktiiv 2004/108/EC (89/336/EMÜ)).

Kuid signaalkaabli valimisel on vaja pöörata suurt tähelepanu CE-tähisega seadmetele.

#### **Signaalkaabli, läbiviigutihendite ja konnektorite kvaliteet**

Brooks Instrument turustab kõrgekvaliteedilisi kaableid, mis vastavad CE-sertifikaadi nõuetele.

Olemasoleva kaabli kasutamisel jälgige, et kaabel oleks täielikult ümbritsetud varjestusega.

„D” või „Ring”-tüüpi konnektorid peavad olema varustatud metallvarjestusega. Kus kohaldatav, tuleb kasutada metallist läbiviike, mis tagavad kaabli varjestuse ühenduse.

Kaabli varjestus ühendatakse metallkesta või läbiviigutihendiga ja on mõlemast otsast kaitstud 360° ulatuses.

Varjestus peab olema maandatud.

Mikroskeemide servaühendused on üldjuhul mittemetallist. Vastavuse tagamiseks CE-sertifikaadi nõuetele peavad kasutatud kaablid olema 100% varjestatud.

Varjestus peab olema maandatud.

Klemmide konfigureerimine: vt komplekti kuuluvat kasutusjuhendit.

### Elektrostaatiline laeng

▲ **TÄHELEPANU: seade sisaldab staatilise elektri suhtes tundlikke elektroonikakomponente. Seadmesse paigaldatud trükkplaatide eemaldamisel ja paigaldamisel, samuti trükkplaadi või seadmega muude toimingute teostamisel järgige nõuetekohase käsitlemise juhiseid.**

#### **Käsitlemisjuhised**

1. Lahutage seade toiteallikast.
2. Enne trükkplaadi või mõne muu siseelemendi paigaldamist, eemaldamist või konfigureerimist peab personal olema maandatud läbi randmepaela või mõne muu sobiva vahendi.
3. Trükkplaatide transportitakse voolujuhtivas konteineris. Võtke trükkplaat kaitsvast konteinerist välja vahetult enne selle paigaldamist. Seadme eemaldatud trükkplaadid tuleb viivitamatult asetada kaitsvasse konteinerisse kas siis edasiseks transportimiseks, hoiustamiseks või tehasesse tagasisaatmiseks.

#### **Kommentaariid**

See seade ei ole ainus, mis sisaldab staatilise elektri suhtes tundlikke elemente. Enamik kaasasolevatest elektroonikaseadmetest sisaldavad komponente, mille valmistamiseks on kasutatud metalloksiidtehnoloogiat (NMOS, SMOS jne). Kogemused näitavad, et isegi väike kogus staatilist elektrit võib neid seadmeid kahjustada või isegi hävitada. Kuigi võib näida, et kahjustatud komponendid töötavad nõuetekohaselt, hakkavad talitlushäired ilmema juba varakult.

## Model 1358

## Finnish

## Perusohjeet

### Lue ensin ohjeet huolellisesti!

Brooks Instrument suunnittelee, valmistaa ja testaa laitteensa vastaamaan useimpien kotimaisten ja kansainvälisten standardien vaatimuksia. Tuotteet tulee asentaa, käyttää ja huoltaa käyttöohjeiden mukaan jotta niiden toimivuus taataan. Brooks Instrumentin laitteiden asennuksessa, käytössä ja huollossa on noudatettava soveltuvia määräyksiä ja ohjeita, lisäksi mainitut ohjeet on huomioitava työsuojelun ohjeistuksessa.

Oikean toiminnan varmistamiseksi vain valtuutettu huoltohenkilö saa asentaa, käynnistää, päivittää, ohjelmoida ja huoltaa laitteita. Lue kaikki käyttöohjeet koskien tuotteen asennusta, käyttöä ja huoltoa. Jos käyttöohje on puutteellinen, lisätietoja saa paikalliselta jälleenmyyjältä. Yhteystiedot löytyvät oppaan kansilehdestä. Säilytä ohjeet.

**VAROITUS!** Käyttöohjeessa ilmoitettujen standardien mukaisia ohjeita ja raja-arvoja ei saa ylittää. Rajoitusten laiminlyönti voi aiheuttaa tuotteen rikkoutumisen ja/tai vakavan henkilövahingon vaaran.

- Jos ohjeissa on epäselvyyttä, ota yhteyttä Brooks Instrumentin edustajaan ongelman selvittämiseksi.
- Noudata kaikkia laitteessa olevia tai siihen liittyviä ohjeita, määräyksiä ja varoituksia.
- Laitteen asennuksessa on noudatettava erityisiä asennusohjeita sekä voimassa olevia paikallisia ja kansainvälisiä määräyksiä. Laitteet saa yhdistää vain soveltuvaan sähkö- ja paineverkkoon.
- Asennusohjeita: (1) Päästä virtaus hitaasti järjestelmään. Avaa venttiilit hitaasti, jotta virtaus pysyy tasaisena. (2) Tarkista, ettei virtausmittarin sisään- ja ulosmenon vieressä ole vuotoa. Jos järjestelmässä ei ole vuotoa, aseta oikea käyttöpainne.
- Tarkista, että laitteeseen menevä paine on katkaistu ennen laitteen korjaamista välttääksesi äkillisen painepäästön aiheuttaman loukkaantumisriskin. Mahdollisten varaosien tulee olla Brooks Instrumentin hyväksymiä. Vain valtuutettu huoltohenkilö saa asentaa varaosat. Ei-hyväksytyjen varaosien käyttö voi vahingoittaa tuotteen toimintaa ja aiheuttaa turvallisuusriskin. Samoin ei-hyväksytyjen varaosien käyttö voi aiheuttaa tulipalon, sähköiskun tai virhetoiminnan riskin.
- Varmista että kaikki kaikki laitteen ovet/luukut ovat suljettuina ja tarkista että suojakannet ovat paikoillaan estääksesi mahdollisen sähköisku- ja loukkaantumisvaaran.

**VAROITUS!** Jos järjestelmässä virtaa neste ja laitteen sisään- ja ulosmenoventtiilit pitää sulkea, laite on ensin tyhjennettävä kokonaan. Tyhjentämisen laiminlyönti aiheuttaa nesteen lämpölaajenemista, joka saattaa johtaa laitteen rikkoutumiseen ja henkilövahingon vaaraan.

#### Eurooppalainen painelaitedirektiivi (PED)

Painelaitteet, joiden paine on suurempi kuin 0,5 bar ja joiden koko on suurempi kuin 25 mm tai 1 tuuma, kuuluvat eurooppalaiseen painelaitedirektiiviin (PED).

- PED direktiiviä koskevat määräykset löytyvät käyttöoppaan "Tekniset tiedot" -luvusta.
- Käyttöoppaassa kuvatut mittarit ovat 97/23/EC EU-direktiivin mukaisia.
- Kaikki Brooks Instrumentin virtausmittarit kuuluvat virtausryhmään 1. Laitteet jotka ovat suurempia, kuin 25 mm tai 1 tuuma, ovat PED I, II, III kategorien mukaisia.
- Mittarit joiden koko on alle 25 mm tai 1 tuuma ovat hyvän konepajakäytännön (SEP) mukaisia.

#### Eurooppalainen direktiivi sähkömagneettisesta yhteensopivuudesta (EMC)

Brooks Instrumentin CE-merkin saaneet (sähkö/sähköiset) laitteet täyttävät EMC direktiivin vaatimukset ja testit sähkömagneettisesta yhteensopivuudesta (2004/108/EC (no. 89/336/EGK EMC direktiivi)).

Erityistä huomioita on kiinnitettävä CE-merkittyjen laitteiden käytössä olevien kaapelien valintaan.

##### Kaapelien, kiinnikkeiden ja liittimien laatu:

Brooks Instrumentin kaapelit ovat korkealaatuisia ja täyttävät CE-merkintä direktiivin vaatimukset.

Muun valmistajan kaapelia käytettäessä on käytettävä 100% suojattua kaapelia.

Liittimien tulee olla häiriösuojattua tyyppiä. Tarvittaessa käytetään metallisia kiinnikkeitä kaapelin suojuksen kiinnittämiseen. Kaapelin suojuksen pitää olla yhdistettynä metallisuojukseen tai laippaan ja sen pitää olla molemmista päistä suojattuna 360°. Suojaus päättyy maadoitukseen.

Standardin mukaan korttien liittimet eivät ole metallisia. Käytettyjen kaapelien suojaus on oltava 100%, jotta se täyttäisi CE-merkinnän direktiivin vaatimukset.

Suojaus päättyy maadoitukseen.

Napojen järjestys: Katso liitteenä oleva käyttöopas.

#### Elektrostaattinen purkaus (ESD)

**VAROITUS!** Tuote sisältää elektroniikkakomponentteja jotka voivat vahingoittua staattisesta sähköstä. Sisäisten piirilevyjen purkamisessa, asennuksessa ja käsittelyssä tulee noudattaa kaikkia määräyksiä ja ohjeita.

##### **Asennusohjeet:**

1. Järjestelmän sähkökatkaistaan.
2. Laitteen kanssa työskentelevä henkilö on suojattava sähköiskulta rannehihnalla tai muulla suojaruuvilla ennen piirilevyn tai muun sisäosan asennusta, poistamista tai korjaamista.
3. Piirilevyt kuljetetaan konduktiivisessa pakkauksessa. Piirilevyt puretaan pakettista juuri ennen asennusta. Poistettu piirilevy on heti pakattava soveltuvaan suojauspakkaukseen kuljettamista, varastoimista tai palautusta varten.

##### **Huomautukset:**

Tuotteen herkkyys elektrostaattiselle purkaukselle (ESD) ei ole epätavallista. Suurin osa elektroniikkatuotteista sisältää komponentteja jotka hyödyntävät metallioksiditeknologiaa (NMOS, SMOS jne.) Kokemusten mukaan pienikin elektrostaattinen purkaus voi aiheuttaa laitteiden virhetoiminnan tai vahingoittumisen. Vahingoittuneet komponentit saattavat aiheuttaa laitteen ennenaikaisen rikkoutumisen vaikka laite näyttäisi toimivan normaalisti.

## French

## Instructions essentielles A lire avant de commencer !

Brooks Instrument conçoit, fabrique et teste ses produits pour répondre à de nombreuses normes nationales et internationales. Ces produits doivent être correctement installés, utilisés et entretenus pour pouvoir fonctionner dans le cadre de leurs spécifications normales. Les instructions qui suivent doivent être respectées et intégrées à votre programme de sécurité lors de l'installation, l'utilisation et l'entretien des produits Brooks Instrument.

- Afin d'assurer un fonctionnement correct, faites appel à du personnel qualifié pour l'installation, l'utilisation, la mise à jour, la programmation et l'entretien du produit.
- Lisez toutes les instructions avant l'installation, l'utilisation et l'entretien du produit. Si le présent manuel d'utilisation n'est pas le bon, consultez la dernière page de la couverture pour connaître le point de vente le plus proche. Conservez ce manuel d'utilisation pour pouvoir vous y reporter par la suite.

**AVERTISSEMENT : n'utilisez pas cet instrument au-delà des spécifications énumérées dans le manuel d'utilisation. Le non-respect de cet avertissement peut entraîner de graves blessures et / ou endommager l'équipement.**

- Si vous ne comprenez pas l'une des instructions, prenez contact avec un représentant de Brooks Instrument pour obtenir des explications.
- Tenez compte de tous les avertissements, précautions et instructions marquées sur le produit et fournies avec celui-ci.
- Installez votre équipement de la façon indiquée dans les instructions d'installation du manuel d'utilisation et conformément à la législation en vigueur au niveau local et national. Branchez tous les produits aux sources d'électricité et de pression agréées.
- Utilisation : (1) Faites lentement entrer le débit dans le système. Ouvrez progressivement les vannes de procédé pour éviter des pics de débits. (2) Vérifiez qu'il n'y a pas de fuite au niveau des branchements d'entrée et de sortie du débitmètre. S'il n'y a pas de fuite, amenez le système à sa pression d'utilisation.
- Avant de procéder à l'entretien, assurez-vous que la conduite de procédé n'est plus sous pression. Lorsqu'il faut remplacer une pièce, assurez-vous que les pièces de rechange sont celles indiquées par Brooks Instrument et que des personnes qualifiées effectuent le remplacement. Les pièces et procédures non autorisées peuvent porter atteinte au fonctionnement du produit et mettre en péril la sécurité de votre procédé. Les remplacements par des pièces d'apparence similaire peuvent entraîner des incendies, des risques électriques ou un mauvais fonctionnement.
- Vérifiez que toutes les trappes de l'équipement sont fermées et que les couvercles de protection sont en place pour éviter les chocs électriques et les blessures, sauf lorsque l'entretien est réalisé par des personnes qualifiées.

AVERTISSEMENT : dans le cas d'appareils à écoulement liquide, si les vannes d'entrée et de sortie adjacentes aux appareils doivent être fermées pour une raison quelconque, les appareils doivent être complètement vidangés. Si cela n'est pas fait, une éventuelle dilatation thermique du fluide peut casser l'appareil et provoquer des blessures.

### Directive européenne « équipements sous pression » (PED)

Tous les équipements sous pression dont la pression interne est supérieure à 0,5 bar (pression relative) et dont la taille dépasse 25 mm ou un pouce entrent dans le cadre de la directive PED.

- La section « Spécifications » de ce manuel contient les instructions relatives à la directive PED.
- Les appareils de mesure de ce manuel sont conformes à la directive EN 97/23/EC.
- Tous les débitmètres Brooks Instrument fonctionnent avec des fluides de groupe 1.
- Les appareils de mesure d'une taille supérieure à 25 mm ou un pouce entrent dans la catégorie PED I, II ou III.
- Les appareils de mesure d'une taille inférieure ou égale à 25 mm ou un pouce relèvent des « bonnes pratiques d'ingénierie » (SEP).

### Compatibilité électromagnétique européenne (CEM)

L'équipement Brooks Instrument (électrique / électronique) portant le marquage CE répond à la réglementation en matière de compatibilité électromagnétique (directive CEM 2004/108/EC (89/336/CEE)).

Il faut cependant prêter une grande attention au choix du câble d'interconnexion à utiliser avec l'équipement marqué CE.

**Qualité du câble d'interconnexion, des presse-étoupes et connecteurs :**

Brooks Instrument fournit un ou des câbles de qualité supérieure qui répondent aux spécifications exigées pour la certification CE.

Si vous utilisez votre propre câble d'interconnexion, ce câble doit être protégé par un blindage intégral.

Les connecteurs rectangulaires ou circulaires utilisés doivent avoir un blindage métallique. S'il y a lieu, des presse-étoupes métalliques doivent faire office de serre-écran de câble.

L'écran du câble doit être raccordé à l'enveloppe métallique ou au presse-étoupe et blindé aux deux extrémités sur 360 degrés.

Le blindage doit s'achever sur une prise de terre.

Les connecteurs de carte standards sont non métalliques. Les câbles utilisés doivent être protégés par un blindage intégral pour se conformer à la certification CE.

Le blindage doit s'achever sur une prise de terre.

En ce qui concerne la configuration des broches, veuillez vous reporter au manuel d'utilisation joint.

### ESD (décharge électrostatique)

**ATTENTION : cet instrument contient des composants électroniques sensibles à l'électricité statique. Des procédures de manipulation adéquates doivent être respectées pendant le retrait, l'installation ou la manipulation des cartes de circuits imprimés ou des dispositifs internes.**

**Procédure de manipulation :**

1. L'alimentation électrique de l'appareil doit être coupée.
2. Le personnel doit être mis à la terre, au moyen d'une bande de poignet ou d'un autre moyen sûr et adéquat, avant l'installation, le retrait ou le réglage de toutes les cartes de circuits imprimés ou autres dispositifs internes.
3. Les cartes de circuits imprimés doivent être transportées dans un récipient conducteur. Les cartes ne doivent être enlevées de cette enveloppe protectrice qu'au dernier moment, juste avant l'installation. Les cartes retirées doivent être immédiatement placées dans un récipient de protection pour le transport, le stockage ou le retour à l'usine.

**Observations**

Brooks Instrument n'est pas le seul à proposer des produits comportant des composants sensibles aux décharges électrostatiques. La plupart des produits électroniques modernes contiennent des composants qui utilisent des technologies à oxydes métalliques (NMOS, SMOS, etc.). L'expérience démontre que d'infimes quantités d'électricité statique suffisent à endommager ou détruire ces appareils. Les composants endommagés, même s'ils semblent fonctionner correctement, tombent rapidement en panne.



## Model 1358

## German

## Wichtige Anweisungen Bitte zuerst lesen!

Brooks Instrument entwickelt, produziert und testet seine Produkte derart, dass sie viele nationale und internationale Standards erfüllen. Nur bei korrektem Einbau sowie richtiger Bedienung und Wartung dieser Produkte ist ein Betrieb unter Einhaltung der Standardvorgaben sichergestellt. Die folgenden Anweisungen müssen eingehalten werden und in Ihr Sicherheitsprogramm integriert werden, wenn Sie Brooks Produkte installieren, bedienen und warten.

- Um die entsprechende Leistung zu gewährleisten, setzen Sie qualifiziertes Personal für die Installation, den Betrieb, die Aktualisierung, Programmierung und Wartung des Produkts ein.
- Lesen Sie alle Anweisungen, bevor Sie das Produkt installieren, in Betrieb nehmen und warten. Falls es sich bei diesem Handbuch nicht um das richtige Handbuch handelt, schauen Sie bitte auf der Rückseite nach den Kontaktdaten Ihres Vertriebsbüros vor Ort. Bewahren Sie dieses Handbuch auf, falls Sie später etwas nachschauen möchten.

**WARNUNG: Dieses Gerät nicht außerhalb der in Bedienungsanleitung und Handbuch angegebenen Grenzen betreiben. Wird diese Warnung nicht beachtet, kann dies zu schweren Personenschäden bzw. Schäden des Gerätes führen.**

- Falls Sie Anweisungen nicht verstehen, wenden Sie sich zur Klärung an Ihren Brooks Instrument Vertreter.
- Befolgen Sie alle Warnhinweise und Anweisungen, die auf dem Produkt markiert sind oder zusammen mit diesem geliefert werden.
- Installieren Sie Ihr Gerät, wie in den Installationsanweisungen des entsprechenden Handbuchs angegeben und gemäß der gültigen regionalen und nationalen Gesetze. Schließen Sie alle Produkte an eine geeignete Strom- und Druckluftversorgung an.
- Bedienung: (1) Langsam den Zufluss zum System starten. Die Ventile langsam öffnen, um einen sprunghaften Anstieg der Durchflussmenge zu verhindern. (2) Bereich der Anschlüsse (Zufluss und Ausfluss) des Durchflussmessers auf Undichtigkeiten überprüfen. Wenn das System dicht ist, auf Betriebsdruck hochfahren.
- Sicherstellen, dass der Leitungsdruck vor Wartungsarbeiten heruntergefahren wird. Wenn Ersatzteile benötigt werden, stellen Sie sicher, dass qualifizierte Personen Ersatzteile verwenden, die von Brooks Instrument vorgegeben sind. Nicht genehmigte Teile und Verfahren können die Leistungsfähigkeit des Produkts beeinträchtigen und den sicheren Betrieb Ihres Prozesses gefährden. Ähnlich aussehende Austauschteile können zu Bränden, elektrischen Gefahren oder nicht sachgerechtem Betrieb führen.
- Stellen Sie sicher, dass alle Türen der Anlage geschlossen sind und dass alle Schutzabdeckungen angebracht sind, um Stromschläge und Personenschäden zu vermeiden, es sei denn die Wartungsaufgaben werden von qualifizierten Personen durchgeführt.

**WARNUNG: Werden die Ein- und Auslassventile neben Durchflussmessgeräten aus irgendwelchen Gründen geschlossen, so müssen die Geräte komplett entleert werden.**

**Durchflussmessgeräete muessen vor dem Schliessen von Ein- und Auslassventilen komplett entleert werden, anderenfalls kann es zu einer thermischen Ausdehnung der Flüssigkeit und damit zum Bruch des Gerätes kommen; Personenschäden können die Folge sein.**

### Europäische Druckgeräterichtlinie (PED)

Alle Druckgeräte mit einem internen Druck von mehr als 0,5 bar (g) und einer Größe von mehr als 1 in (1 in = 25,4 mm) unterliegen der Druckgeräterichtlinie.

- Das Kapitel zu den technischen Daten in dieser Anleitung enthält wichtige Sicherheits- und Betriebsanweisungen in Bezug auf die Druckgeräterichtlinie.
- Messgeräte, die in diesem Handbuch beschrieben sind, erfüllen die europäische Richtlinie 97/23/EG.
- Alle Durchflussmesser von Brooks Instrument fallen unter die Fluidgruppe 1.
- Messgeräte, die größer als 25 mm oder 1" (inch) sind, erfüllen die Kategorien I, II oder III der Druckgeräterichtlinie (PED).
- Messgeräte mit einer Größe von 25 mm oder 1" (inch) oder kleiner sind Sound Engineering Practice (SEP).

### Europäische Verordnung zur elektromagnetischen Verträglichkeit (EMV)

Geräte von Brooks Instrument (elektrischer und elektronischer Art) mit CE-Zeichen haben den Test auf Einhaltung der Verordnung zur elektromagnetischen Verträglichkeit (EMV Richtlinie 2004/108/EC (89/336/EWG)) erfolgreich bestanden.

Dennoch muss bei der Wahl des Signalkabels für das Gerät mit CE-Zeichen auf folgende Dinge geachtet werden.

**Qualität von Signalkabel, Kabeldurchführung und Anschlüsse:**

Brooks Instrument liefert qualitativ hochwertige Kabel, die den Anforderungen für eine CE-Zertifizierung entsprechen.

Sollten Sie eigene Kabel einsetzen, so sollte das Kabel überall mit einer 100%-Abschirmung versehen sein.

D- oder Rundstecker sollten eine Metallabschirmung aufweisen. Wenn möglich, müssen Kabeldurchführungen aus Metall mit Kabelschirmflechts-Klemmen verwendet werden.

Der Kabelschirm sollte an die Metallhülle oder -durchführung angeschlossen werden und an beiden Enden rundherum (360 °) abgeschirmt werden.

Die Abschirmung sollte geerdet werden.

Randstecker auf Platinen sind standardmäßig nicht aus Metall. Die verwendeten Kabel müssen mit einer 100 % Abschirmung versehen werden, um die CE-Vorgaben zu erfüllen.

Die Abschirmung sollte geerdet werden.

Klemmenbelegung: Siehe beigefügtes Handbuch.

### ESD (Elektrostatische Entladung)

**ACHTUNG: Dieses Gerät enthält elektronische Komponenten, die durch elektrostatische Entladungen beschädigt werden können. Ordnungsgemäße Verfahrensanweisungen müssen während des Ausbaus, der Installation oder anderer Handhabung der eingebauten Platinen oder Geräte eingehalten werden.**

**Verfahrensanweisung:**

1. Trennen Sie das Gerät von der Stromversorgung.
2. Das Personal ist vor dem Einbau, Ausbau oder der Einstellung von Platinen oder anderen internen Komponenten durch ein entsprechendes Armband mit dem Erdpotential zu verbinden.
3. Platinen sind in speziellen Behältern mit Schutz gegen elektrostatische Spannungen zu transportieren oder zu lagern. Platinen dürfen erst kurz vor dem Einbau aus der Schutzhülle entfernt werden. Ausgebaute Platinen müssen umgehend in Schutzbehälter zum Transport, zur Lagerung oder Rücksendung an das Werk gelegt werden.

**Anmerkung**

Dieses Gerät ist wie viele andere elektronische Geräte auch mit Komponenten bestückt, die anfällig für elektrostatische Entladung sind. Die meisten modernen, elektronischen Geräte enthalten Komponenten, die die Metalloxidtechnologie (NMOS, SMOS etc.) verwenden. Die Erfahrung hat gezeigt, dass schon geringe Mengen elektrostatischer Energie ausreichen, um diese Geräte zu beschädigen oder zu zerstören. Beschädigte Teile fallen früh aus, obwohl sie funktionsfähig zu sein scheinen.

## Greek

## Βασικές οδηγίες

### Διαβάστε πριν συνεχίσετε!

Η Brooks Instrument σχεδιάζει, παράγει και δοκιμάζει τα προϊόντα της σε συμμόρφωση με πλήθος εθνικών και διεθνών προτύπων. Η σωστή εγκατάσταση, χρήση και συντήρησή τους αποτελεί απαραίτητη προϋπόθεση της λειτουργίας εντός των κανονικών ορίων. Οι παρακάτω οδηγίες πρέπει να τηρούνται και πρέπει να ενσωματωθούν στο πρόγραμμα ασφάλειας της εργασίας σας κατά την εγκατάσταση, χρήση και συντήρηση προϊόντων της Brooks Instrument.

- Για σωστό αποτέλεσμα η εγκατάσταση, λειτουργία, ενημέρωση, προγραμματισμός και συντήρηση πρέπει να γίνεται από ειδικευμένο προσωπικό.
  - Διαβάστε όλες τις οδηγίες πριν εγκαταστήσετε, λειτουργήσετε και συντηρήσετε το προϊόν. Εάν το παρόν εγχειρίδιο δεν είναι το σωστό εγχειρίδιο, συμβουλευθείτε το πίσω εξώφυλλο για τα στοιχεία επικοινωνίας του τοπικού αντιπροσώπου. Φυλάξτε το εγχειρίδιο αυτό για μελλοντική αναφορά.
- ▲ ΠΡΟΕΙΔΟΠΟΙΗΣΗ: Μη λειτουργείτε τη συσκευή αυτή καθ' υπέρβαση των ορίων που αναγράφονται στο Εγχειρίδιο Οδηγιών και Λειτουργίας. Η μη συμμόρφωση με την προειδοποίηση αυτή μπορεί να οδηγήσει σε σοβαρό προσωπικό τραυματισμό ή/και ζημιά στον εξοπλισμό.**
- Σε περίπτωση μη κατανόησης κάποιας από τις οδηγίες ζητήστε διευκρινίσεις από τον τοπικό αντιπρόσωπο της Brooks Instrument.
  - Τηρείτε όλες τις προειδοποιήσεις, προφυλάξεις και οδηγίες που αναγράφονται ή συνοδεύουν το προϊόν.
  - Εγκαταστήστε τη συσκευή όπως προβλέπεται στις οδηγίες εγκατάστασης του σωστού εγχειριδίου οδηγιών και στις κείμενες τοπικές και εθνικές διατάξεις. Συνδέστε τα προϊόντα στις εκάστοτε σωστές παροχές ρεύματος και πίεσης.
  - Διαδικασία: (1) Αφήστε να ξεκινήσει αργά η ροή στο σύστημα. Ανοίξτε αργά τις βαλβίδες λειτουργίας για να αποφύγετε τις απότομες αυξομειώσεις ροής. (2) Ελέγξτε για διαρροές τις συνδέσεις εισόδου και εξόδου του ροόμετρου. Αν δεν υπάρχουν διαρροές, γεμίστε το σύστημα μέχρι η πίεση να φτάσει την κανονική πίεση εργασίας.
  - Πριν από τη συντήρηση βεβαιωθείτε ότι γραμμική εργασία έχει τεθεί εκτός πίεσης. Σε περίπτωση αντικατάστασης ανταλλακτικών βεβαιωθείτε ότι το προσωπικό είναι ειδικευμένο και χρησιμοποιεί ανταλλακτικά που προβλέπει η Brooks Instrument. Μη εγκεκριμένα ανταλλακτικά και επεμβάσεις ενδέχεται να επηρεάσουν τις επιδόσεις του προϊόντος και να προκαλέσουν κίνδυνο για την ασφαλή λειτουργία. Αντικαταστάσεις με φαινομενικά όμοια ανταλλακτικά ενδέχεται να προκαλέσουν πυρκαγιά, κίνδυνο ηλεκτροπληξίας ή ανεπαρκή λειτουργία.
  - Βεβαιωθείτε ότι όλα τα ανοίγματα του εξοπλισμού είναι κλειστά και τα προστατευτικά καλύμματα είναι στη θέση τους προκειμένου να αποφευχθεί ο κίνδυνος ηλεκτροπληξίας και προσωπικών τραυματισμών, εκτός εάν εκτελούνται εργασίες συντήρησης από ειδικευμένο προσωπικό.
- ▲ ΠΡΟΕΙΔΟΠΟΙΗΣΗ: Προκειμένου για συσκευές με ροή ρευστού, όταν για οποιονδήποτε λόγο πρόκειται να κλείσουν οι βαλβίδες εισαγωγής και εξαγωγής κοντά στις συσκευές, οι συσκευές πρέπει να αποστραγγιστούν εντελώς. Η μη συμμόρφωση μπορεί να προκαλέσει θερμική διαστολή του υγρού που περιέχουν, με αποτέλεσμα να ραγίσει η συσκευή και να προκληθούν προσωπικοί τραυματισμοί.**

### Ευρωπαϊκή Οδηγία για τον εξοπλισμό υπό πίεση (PED)

Κάθε εξοπλισμός υπό πίεση με εσωτερική πίεση άνω του 0,5 bar (g) και μεγέθους μεγαλύτερου των 25 mm ή της 1 ίντσας εμπίπτει στις διατάξεις της ευρωπαϊκής Οδηγίας για τον εξοπλισμό υπό πίεση (PED).

- Το κεφάλαιο Προδιαγραφές του παρόντος εγχειριδίου περιλαμβάνει οδηγίες σχετικά με την Οδηγία PED.
- Οι μετρητές που περιγράφονται στο παρόν εγχειρίδιο συμμορφώνονται με την ευρωπαϊκή Οδηγία 97/23/EK.
- Όλα τα ροόμετρα της Brooks Instrument ανήκουν στην ομάδα ρευστών 1.
- Μετρητές μεγαλύτεροι από 25 mm ή 1 ίντσα συμμορφώνονται με τις κατηγορίες I, II και III της Οδηγίας PED.
- Μετρητές μεγέθους 25 mm ή 1 ίντσας ή και μικρότεροι κατασκευάζονται σύμφωνα με τους κανόνες της τέχνης (SEP).

### Ευρωπαϊκή Οδηγία για την ηλεκτρομαγνητική συμβατότητα (EMC)

Ο (ηλεκτρικός/ηλεκτρονικός) εξοπλισμός της Brooks Instrument που φέρει το σήμα CE έχει υποστεί επιτυχώς τις δοκιμές που προβλέπουν οι διατάξεις της Οδηγίας για την ηλεκτρομαγνητική συμβατότητα (Οδηγία 2004/108/EC (89/336/EOK για την EMC)).

Πάντως χρειάζεται ιδιαίτερη προσοχή στην επιλογή του καλωδίου σήματος για τον εξοπλισμό που φέρει το σήμα CE.

#### Ποιότητα των καλωδίων σήματος, στυπιοθλιπτών και βυσμάτων καλωδίων:

Η Brooks Instrument προσφέρει υψηλής ποιότητας καλώδια τα οποία πληρούν τις προδιαγραφές CE.

Σε περίπτωση παροχής δικού σας καλωδίου σήματος, χρησιμοποιείτε καλώδιο με πλήρη θωράκιση 100% σε όλα τα σημεία.

Βύσματα τύπου «D» ή κυκλικά πρέπει να έχουν μεταλλική θωράκιση. Να χρησιμοποιηθούν κατά προτίμηση μεταλλικοί στυπιοθλιπτες καλωδίων για τη στερέωση της θωράκισης.

Να συνδεθεί η θωράκιση του καλωδίου στο μεταλλικό κέλυφος ή στυπιοθλιπτή και να θωρακιστεί και στα δύο άκρα κατά 360 μοίρες. Η θωράκιση πρέπει να τερματίζει σε γείωση εδάφους.

Τα βύσματα άκρου της πλακέτας είναι εκ κατασκευής μη μεταλλικά. Τα χρησιμοποιούμενα καλώδια πρέπει να έχουν 100% θωράκιση για συμμόρφωση με την πιστοποίηση CE. Η θωράκιση πρέπει να τερματίζει σε γείωση εδάφους.

Για τη διάταξη των ακίδων: Συμβουλευθείτε το συνημμένο εγχειρίδιο οδηγιών.

### Ηλεκτροστατική εκκένωση (ESD)

**▲ ΠΡΟΦΥΛΑΞΗ: Η συσκευή αυτή περιέχει ηλεκτρονικά εξαρτήματα τα οποία μπορούν να υποστούν εύκολα βλάβες από τον στατικό ηλεκτρισμό. Πρέπει να ακολουθούνται οι ορθές διαδικασίες χειρισμού κατά την αφαίρεση, τοποθέτηση ή άλλο χειρισμό των εσωτερικών πλακετών και διατάξεων.**

#### **Διαδικασία χειρισμού:**

1. Θέστε τη συσκευή εκτός τάσεως.
2. Φροντίστε για τη γείωση του προσωπικού με περικάρπιο ή άλλο ασφαλές και κατάλληλο μέσο πριν τοποθετήσετε, αφαιρέσετε ή ρυθμίσετε κάρτες τυπωμένων κυκλωμάτων ή άλλη εσωτερική διάταξη.
3. Οι κάρτες τυπωμένων κυκλωμάτων πρέπει να μεταφέρονται σε συσκευασία από αγώγιμο υλικό. Οι κάρτες δεν πρέπει να αφαιρεθούν από το προστατευτικό περιβλήμα παρά μόνο αμέσως πριν από την τοποθέτηση. Οι κάρτες που αφαιρέθηκαν πρέπει να τοποθετηθούν αμέσως σε προστατευτική συσκευασία για μεταφορά, αποθήκευση ή επιστροφή στο εργοστάσιο.

#### **Παρατηρήσεις:**

Η ύπαρξη εξαρτημάτων ευαίσθητων στα φαινόμενα ESD (ηλεκτροστατικής εκκένωσης) δεν είναι μοναδικό χαρακτηριστικό της συσκευής αυτής. Οι περισσότερες σύγχρονες ηλεκτρονικές συσκευές περιέχουν εξαρτήματα τεχνολογίας μεταλλικών οξειδίων (NMOS, SMOS κ.). Η πείρα έχει αποδείξει ότι μια μικρή ποσότητα στατικού ηλεκτρισμού αρκεί για να προκαλέσει βλάβες ή να καταστρέψει τις συσκευές αυτές. Εξαρτήματα που υπέστησαν βλάβη, ακόμη και αν μοιάζουν να λειτουργούν σωστά, κινδυνεύουν από πρώιμη αποτυχία.

## Model 1358

## Hungarian

## Alapvető utasítások Először olvassa el ezeket!

A Brooks Instrument olyan módon tervezi, gyártja és teszteli termékeit, hogy azok megfeleljenek számos belföldi és nemzetközi szabványnak. Ezeket a berendezéseket megfelelően kell telepíteni, üzemeltetni és karbantartani ahhoz, hogy mindenképpen a normál működési tartományuknak megfelelően üzemelhessenek. Az alábbi utasításokat be kell tartani, és be kell építeni a munkavédelmi programba a Brooks Instrument termékeinek telepítése, üzemeltetése és karbantartása során.

A megfelelő teljesítmény garانتálása érdekében kizárólag szakképzett személyzet végezze a termék telepítését, üzemeltetését, frissítését, programozását és karbantartását.

Valamennyi utasítást el kell olvasni a termék telepítése, üzemeltetése és szervizelése előtt. Amennyiben ez a kézikönyv nem a megfelelő kiadvány, a hátsó borítón keressen meg a helyi forgalmazót, és további tájékoztatásért lépjen kapcsolatba vele. Őrizze meg ezt a kézikönyvet későbbi tájékoztatásként.

**▲ FIGYELEM: Ne működtesse a berendezést az üzemeltetési utasításban megadott üzemi tartományokon túl. Ennek megsértése súlyos személyi sérüléshez vagy a berendezés meghibásodásához vezethet.**

- Amennyiben a gépkönyv utasításai nem egyértelműek, lépjen kapcsolatba Brooks Instrument képviselőjével, hogy tisztázzák a problémát.
- Tartsa be a berendezésen feltüntetett vagy azzal együtt szállított összes figyelmeztetést, felhívást és utasítást.
- A megfelelő telepítési utasításban megadott utasítások valamint a hatályos helyi és nemzeti előírások szerint telepítse a berendezést. A termékeket kizárólag a megfelelő elektromos és nyomásellátó forrásra kösse.
- Menete: (1) Lassan helyezze nyomás alá a rendszert. Lassanként nyissa ki az üzemi szelepeket az áramlasingadozás elkerülése érdekében. (2) Ellenőrizze, nincs-e szivárgás az áramlásmérő be-, és kimeneti bekötéseinél. Ha nincs szivárgás, tölts fel a rendszert az üzemi nyomásra.
- Szervizelés előtt mindenképpen ellenőrizze, hogy az üzemi vezeték nincs-e nyomás alatt. Amennyiben cserealkatrészekre van szükség, mindenképpen szakképzett személynek kell kezelnie a Brooks Instrument által meghatározott cserealkatrészeket. A nem engedélyezett alkatrészek és tevékenységek befolyásolhatják a termék teljesítményét, illetve veszélyeztethetik a biztonságos üzemeltetést. A pusztán hasonló alkatrészekkel történő helyettesítés tüzet, áramütésveszélyt vagy elégtelen működést eredményezhet.
- A berendezés összes ajtaja mindenképpen legyen zárva, a védőburkolatok pedig legyenek a helyükön az áramütés és a személyi sérülések elkerülése érdekében, kivéve, ha szakképzett szakember végez rajta karbantartási munkákat.

**▲ FIGYELEM: Folyadékot áramlató berendezések esetében, ha bármilyen okból el kell zárni a berendezés melletti ki-, és belépő szelepeket, a berendezést teljesen le kell üríteni. Ennek elmulasztása a folyadék hőtágulását okozhatja, ami károsíthatja a berendezést, és személyi sérüléshez vezethet.**

### Nyomástartó berendezésekre vonatkozó európai irányelv (PED)

Minden 0,5 bar-nál (g) magasabb belső nyomású és 25 mm-nél vagy 1 hüvelyknél nagyobb nyomástartó berendezés a nyomástartó berendezésekre vonatkozó európai irányelv (PED) hatálya alá tartozik.

- A gépkönyv „Műszaki adatok” fejezete tartalmaz a PED irányelvre vonatkozó utasításokat.
- A gépkönyvben megadott mérőeszközök megfelelnek a 97/23/EK EU irányelvnek.
- Minden Brooks átfolyásmérő az 1-es folyadékcsoportba tartozik.
- A 25 mm-nél vagy 1 hüvelyknél nagyobb mérőeszközök megfelelnek a PED I, II, vagy III kategóriának.
- A 25 mm-es illetve 1 hüvelykes vagy kisebb mérőeszközök az elfogadott mérnöki gyakorlatot (SEP) követik.

### Elektromágneses kompatibilitásra vonatkozó európai irányelv (EMC)

A Brooks Instrument CE jelölést kiérdemelt (elektromos/elektronikus) berendezései sikeresen teljesítették az elektromágneses kompatibilitási követelményeket (2004/108/EC (89/336/EGK sz. EMC irányelv)) vizsgálati tesztek.

Ugyanakkor különös figyelmet kell fordítani a CE jelölésű berendezésekhez felhasznált jelkébelek kiválasztására.

**A jelkébelek, kábelösszekötők, csatlakozók minősége:**

A Brooks Instrument magas minőségű kábeleket kínál, melyek megfelelnek a CE minősítés követelményeinek.

Amennyiben saját jelkábelt alkalmaznak, olyat kell választani, amely 100%-os árnyékolással, teljes mértékben szűrt.

A „D” vagy „kör alakú” csatlakozóknak fémárnyékolóval árnyékolniuk kell lennie. Szükség esetén fém kábelösszekötőket kell alkalmazni a kábelszűrő rögzítésére.

A kábelszűrőt a fém házhoz vagy hüvelyhez kell csatlakoztatni és mindkét felén 360°-ban le kell árnyékolni. Az árnyékolásnak földelésben kell végződnie.

A kártyákhoz tartozó csatlakozók szabványosan nem fémek. Az alkalmazott kábeleknek 100%-os árnyékolással szűrteknek kell lenniük, hogy megfeleljenek a CE minősítésnek.

Az árnyékolásnak földelésben kell végződnie.

Érintkező konfiguráció: Lásd a mellékelt kezelési utasítást.

### Elektrosztatikus kisülés (ESD)

**▲ VIGYÁZAT: A készülék olyan alkatrészeket tartalmaz, melyek hajlamosak a sztatikus elektromosság okozta károsodásra. Be kell tartani a megfelelő eljárásokat a belső áramkörti kártyák és eszközök eltávolítása, behelyezése vagy egyéb kezelése során.**

**Kezelési eljárás:**

1. A berendezést áramtalanítani kell.
2. A személyt földelni kell csuklópáttal vagy egyéb biztonságos és a célra alkalmas eszközzel, mielőtt áramkörti kártyát vagy egyéb belső eszközt telepítene, venne ki, vagy állítana be.
3. A nyomtatott áramkörti kártyákat vezetőképes csomagolásban kell szállítani. A kártyák kizárólag közvetlenül a behelyezés előtt vehetők ki a védőburkolatból. A kiserelt kártyát haladéktalanul el kell helyezni a mozgásra, raktározásra vagy a gyári visszaszállításra szolgáló védőcsomagolásba.

**Megjegyzések:**

Nem egyedi jelenség, hogy a készülékben elektrosztatikus kisülésre (ESD) érzékeny alkatrészek találhatók. A legtöbb korszerű elektronikus eszközben fémoxid technológiás alkatrészek (NMOS, SMOS stb.) találhatók. A tapasztalatok azt igazolják, hogy még kis mértékű sztatikus elektromosság is károsíthatja, vagy tönkretelheti ezeket az eszközöket. A károsodott alkatrészek, még ha látszólag megfelelően működnek is, kezdődő hibára utalnak.



## Italian

## Istruzioni fondamentali

### Leggerle subito!

La Brooks Instrument progetta, fabbrica e collauda i propri prodotti in maniera tale che siano conformi ai vari standard nazionali ed internazionali. Tali apparecchiature devono essere installate, messe in esercizio e tenute in manutenzione in maniera adeguata affinché operino in conformità alle loro normali specifiche di funzionamento. Le seguenti istruzioni devono essere rispettate ed inserite nel programma di tutela sul lavoro durante l'installazione, il funzionamento e la manutenzione dei prodotti Brooks Instrument.

- Per garantire un adeguato rendimento l'installazione, il funzionamento, l'aggiornamento, la programmazione e la manutenzione del prodotto devono essere eseguiti esclusivamente da personale specializzato.
- Leggere tutte le istruzioni prima dell'installazione, utilizzo e manutenzione del prodotto. Se questo manuale non è quello relativo al Vostro prodotto, cercare sul retro della copertina il distributore locale e contattarlo per ulteriori informazioni. Conservare il presente manuale per future consultazioni.

**⚠ ATTENZIONE: Non utilizzare questo strumento in condizioni che eccedono le specifiche riportate nel Manuale d'Uso. L'inosservanza può causare gravi lesioni alle persone e/o danni all'apparecchiatura.**

- Qualora le istruzioni del manuale non siano chiare, contattare un rappresentante della Brooks Instrument per chiarire il problema.
- Rispettare tutti gli avvisi, le istruzioni e gli avvertimenti riportati sull'apparecchiatura o forniti insieme ad essa.
- Installare l'apparecchiatura in base alle istruzioni riportate nel Manuale d'Uso e alle prescrizioni locali e nazionali in vigore. Collegare i prodotti esclusivamente ad un'adeguata sorgente di pressione ed alimentazione elettrica.
- Procedimento: (1) mettere lentamente sotto pressione il sistema. Aprire lentamente le valvole di servizio per evitare l'oscillazione del flusso. (2) Controllare che non ci siano perdite nei punti di connessione in entrata e in uscita del misuratore di flusso. Se non ci sono perdite, caricare il sistema alla pressione d'esercizio.
- Prima di effettuare manutenzione controllare che la linea di processo non sia sotto pressione. Se avete bisogno di pezzi di ricambio, il personale specializzato deve usare i pezzi di ricambio definiti dalla Brooks Instrument. Attività e pezzi di ricambio non autorizzati possono influire sul rendimento del prodotto e comprometterne il funzionamento in sicurezza. La sostituzione con pezzi di ricambio non originali può causare incendi, pericolo di scosse elettriche o funzionamento improprio.
- Tutti gli sportelli dell'impianto devono essere chiusi, le cappe di protezione devono essere al loro posto per evitare scosse elettriche e lesioni personali, tranne quando il personale specializzato esegue lavori di manutenzione.

**⚠ ATTENZIONE: In caso di apparecchiature in cui scorre un liquido, se per qualsiasi motivo bisogna chiudere le valvole d'entrata e d'uscita accanto all'apparecchiatura, allora si deve svuotare completamente l'apparecchiatura. L'inosservanza può causare la dilatazione termica del liquido che può danneggiare l'apparecchiatura e provocare lesioni alle persone.**

#### Direttiva europea relativa alle apparecchiature a pressione (PED)

Ogni apparecchiatura a pressione con pressione interna maggiore di 0,5 bar (g) e più grande di 25 mm o di 1 pollice ricade nell'ambito della Direttiva Europea relativa alle apparecchiature a pressione (PED).

- Il capitolo „Dati tecnici” del manuale contiene le disposizioni relative alla direttiva PED.
- Gli strumenti di misura descritti nel presente manuale sono conformi alla Direttiva UE 97/23/CE.
- Ogni flussimetro Brooks appartiene al gruppo di fluidi 1.
- Gli strumenti di misura maggiori di 25 mm o di 1 pollice sono conformi alla categoria I, II o III della PED.
- Gli strumenti di misurazione minori di 25 mm o di 1 pollice rientrano nella categoria SEP (Sound Engineering Practice).

#### Direttiva europea relativa alla compatibilità elettromagnetica (EMC)

Le apparecchiature (elettriche/elettroniche) Brooks Instrument dispongono del marchio CE ed hanno superato positivamente i test per i requisiti di compatibilità elettromagnetica (Direttiva EMC 2004/108/EC (89/336/CEE)).

In ogni caso bisogna prestare particolare attenzione alla scelta dei cavi di segnale utilizzati per le apparecchiature con marchio CE.

##### Qualità dei cavi di segnale, dei pressacavi e dei connettori:

La Brooks Instrument offre cavi d'alta qualità conformi ai requisiti della certificazione CE.

Qualora vengano utilizzati cavi di segnale propri, devono essere scelti con schermatura al 100% e interamente filtrati.

I connettori „D” o „rotondi” devono essere schermati con schermatura metallica. In caso di necessità bisogna utilizzare pressacavi metallici di collegamento per fissare la schermatura del cavo.

La schermatura del cavo deve far contatto col guscio metallico o col pressacavo; il cavo deve essere schermato su entrambi i lati a 360°. La schermatura deve essere effettuata con messa a terra.

I connettori Card Edge normalmente non sono di metallo. I cavi utilizzati devono essere filtrati con schermatura al 100% per essere conformi alla marcatura CE.

La schermatura deve essere effettuata con messa a terra.

Configurazione pin: Vedi Manuale d'uso allegato.

#### Scarica elettrostatica (ESD)

**⚠ ATTENZIONE: Il dispositivo contiene componenti elettronici che possono essere danneggiati da elettricità statica. Bisogna rispettare le adeguate procedure durante la rimozione, l'installazione o altra manovra delle schede del circuito elettrico interno.**

##### Procedura di manovra:

1. Togliere alimentazione elettrica all'apparecchiatura.
2. La persona deve essere collegata a terra con una cerniera o con altri strumenti di sicurezza e adeguati allo scopo prima di installare, togliere o impostare la scheda del circuito elettrico o altri dispositivi interni.
3. Le schede del circuito stampato devono essere spedite in contenitori conduttivi. Le schede devono essere tolte dal rivestimento protettivo esclusivamente prima dell'installazione. Le schede confezionate devono essere collocate immediatamente nell'imballaggio protettivo per la movimentazione, l'immagazzinamento o resa alla fabbrica.

##### Note:

È un fenomeno comune che nei dispositivi di questo tipo si trovino componenti sensibili alla scarica elettrostatica (ESD). Nella maggior parte degli strumenti elettronici moderni si trovano componenti tecnologici metallo-ossido (NMOS, SMOS, ecc.). Le esperienze dimostrano che l'elettrostaticità anche in piccola misura può danneggiare o rovinare gli strumenti. I componenti danneggiati, anche se all'apparenza funzionano correttamente, potrebbero manifestare il difetto rapidamente.

## Model 1358

## Latvian

## Svarīga instrukcija Pirms turpināt izlasiet!

„Brooks Instrument” projektē, ražo un pārbauda savus ražojumus atbilstoši daudziem nacionālajiem un starptautiskajiem standartiem. Lai nodrošinātu šo izstrādājumu turpmāku darbību atbilstoši noteiktajiem parametriem, tie ir pareizi jāuzstāda, jālieto un jāapkopj. Uzstādot, lietojot „Brooks Instrument” izstrādājumus un veicot to apkopi, ir jāievēro šie norādījumi un jāiekļauj tie jūsu drošības programmā.

- Lai nodrošinātu pienācīgu izstrādājuma sniegumu, izstrādājuma uzstādīšanu, lietošanu, atjaunināšanu, programmēšanu un apkopi uzticiet veikt tikai kvalificētam personālam.
- Pirms izstrādājuma uzstādīšanas, lietošanas un apkalpošanas izlasiet visus norādījumus. Ja šī instrukciju rokasgrāmata nav pareizā, izstrādājumam atbilstošā rokasgrāmata, lūdzu skat. aizmugurējo vāku, kur ir sniegta vietējā tirdzniecības biroja kontaktinformācija.
  - ▲ **BRĪDINĀJUMS! Nelietot instrumentu ārpus Instrukciju un lietošanas rokasgrāmatā norādītajiem parametriem. Šī brīdinājuma neievērošanas rezultātā var rasties traumas un / vai aprikojuma bojājumi.**
- Ja jūs nesaprotat kādu no instrukcijām, sazinieties ar „Brooks Instrument” pārstāvi un lūdziet izskaidrot to.
- Ievērojiet visus brīdinājumus, piesardzības mērus un instrukcijas, kas norādīti uz izstrādājuma vai piegādāti kopā ar to.
- Uzstādiet aprikojumu tā, kā tas norādīts attiecīgajā instrukciju rokasgrāmatā iekļautajā uzstādīšanas instrukcijā un atbilstoši piemērojamajām vietējām un nacionālajām normām. Pievienojiet visus izstrādājumus pareiziem elektriskajiem un spiediena avotiem.
- Lietošana: (1) Lēnām uzsāciet plūsmu sistēmā. Lai izvairītos no straujiem plūsmas kāpumiem, lēnām atveriet procesa vārstus. (2) Pārbaudiet, vai nav noplūdes ap plūsmas mērītāja iepilūdes un izplūdes savienojumiem. Ja noplūdes nav, uzstādiet sistēmā darba spiedienu.
- Pārliedziniet par to, lai pirms instrumenta tehniskās apkopes būtu likvidēts procesa līnijas spiediens. Ja ir nepieciešams veikt kādu daļu nomaiņu, nodrošiniet, lai tiktu izmantotas „Brooks Instrument” norādītās daļas un daļu nomaiņu veiktu kvalificēts personāls. Neatļautu daļu un procedūru izmantošana var ietekmēt ražojuma sniegumu un samazināt procesa drošību. Līdzīgu, bet ne identisku daļu nomaiņas lietošana var izraisīt ugunsgrēka, elektrisko traucējumu riskus un nepareizu izstrādājuma darbību.
- Nodrošiniet, lai būtu aizvērtas visas durvis un būtu pareizi uzstādīti visi aizsargpārsegumi, tādējādi novēršot elektrošoka un traumu risku. Izņēmums ir gadījumi, kad kvalificēts personāls veic ražojuma apkopi.
  - ▲ **BRĪDINĀJUMS! Ja šķidrās plūsmas ierīču tuvumā esošos iepilūdes un izplūdes vārstus kāda iemesla dēļ ir jāaizver, no ierīcēm ir jāizlaiž viss šķidrums. Pretējā gadījumā šķidrums var termiski izplesties, pārraut ierīci un radīt traumas.**

### Eiropas spiedieniekārtu direktīva (PED)

Uz visām spiedieniekārtām, kuru iekšējais spriegums pārsniedz 0,5 bar (g) un ir lielāks par 25 mm jeb 1" (collu), attiecas Eiropas spiedieniekārtu direktīva (PED).

- Šīs rokasgrāmatas tehnisko parametru nodaļā ir sniegtas a PED Direktīvu saistītās instrukcijas.
- Šajā rokasgrāmatā aprakstītie mērītāji atbilst EN Direktīvas 97/23/EK prasībām.
- Visi „Brooks Instrument” plūsmas mērītāji ietilpst 1. šķidrumu grupā.
- Uz 25 mm jeb 1" (collu) maziem un mazākiem mērītājiem attiecas labas inženierijas prakse (SEP).
- 25 mm jeb 1" (collu) mazi vai mazāki mērītāji atbilst PED kategorijai I, II vai III.

### Eiropas elektromagnētiskās savietojamības direktīva (EMS)

„Brooks Instrument” (elektriskās / elektroniskās) iekārtas ar CE zīmi ir izturējušas pārbaudi un atzītas par atbilstošām Eiropas elektromagnētiskās savietojamības direktīvas (EMS) prasībām.

Tomēr, izvēloties signālkabeli, kas tiks lietots kopā ar CE marķējuma iekārtu, ir jāievēro īpaša uzmanība.

#### Signālkabeļa, kabeļa blīvslēgu un savienotāju kvalitāte:

„Brooks Instrument” piegādā augstas kvalitātes kabeļus, kas atbilst CE sertifikācijas tehniskajiem parametriem.

Ja jūs lietojat pats savu signālkabeli, tam ir jābūt pilnībā, 100% ekranizētam.

„D” un „apaļā” tipa savienotājiem ir jābūt aprīkoti ar metāla ekranizējumu. Ja nepieciešams, ir jāizmanto metāla blīvslēgi ar kabeļa ekranizējuma skavojumu.

Kabeļa ekranizējumam ir jābūt savienotam ar metāla apvalku un abās pusēs aizsargātam 360 grādu diapazonā.

Ekranizējumam ir jābeidzas pie iezemējuma.

„Card Edge” savienotāji standarta izpildījumā ir nemetāla. Kabeļiem ir jābūt pārklātiem ar 100% ekranizējumu, lai tie atbilstu CE sertifikācijas prasībām.

Ekranizējumam ir jābeidzas pie iezemējuma.

Attiecībā uz tapu konfigurāciju: skat. pievienoto instrukciju rokasgrāmatu.

### ESD (elektrostatiskā izlāde)

▲ **IEVĒROT PIESARDZĪBU! Šis instruments satur elektriskos komponentus, kas ir jutīgi pret statisko elektrību. Izņemot un uzstādot iekšējās ķēdes plātes un ierīces vai kā citādi darbojoties ar tām, ir jāievēro noteikta darba kārtība.**

#### Darba kārtība:

1. Iekārta jāatslēdz no barošanas.
2. Pirms jebkādas drukātas shēmas kartes vai citas iekšējās ierīces uzstādīšanas, izņemšanas vai regulēšanas personālam, kas veiks šos darbus, ir jābūt iezemētam, piem., izmantojot aprocus vai citus drošus, piemērotus līdzekļus.
3. Drukātās shēmas kartes ir jātransportē vadošā iepakojumā. Plāksnes no aizsargkorpusa drīkst izņemt tikai tieši pirms uzstādīšanas. Transportējot, uzglabājot vai atgriežot rūpnīcā no izņemtās plāksnes ir nekavējoties jāievieto aizsargi iepakojumā.

#### Komentāri

Instruments nav unikāls tajā aspektā, ka tas satur pret ESD (elektrostatisko izlādi) jutīgus komponentus. Vairums mūsdienu elektroiekārtu satur komponentus, kuru ražošanā izmantota metāla oksīdu tehnoloģijas (NMOS, SMOS u.c.). Pieredze rāda, ka pat neliels daudzums statiskās elektrības var nodarīt bojājumus šādām ierīcēm vai pilnībā sabojāt tās. Bojātie komponenti pat tad, ja tie šķietami darbojas pareizi, ir pakļauti ātrākai atteicei.

## Lithuanian

## Pagrindinės instrukcijos Perskaitykite prieš tęsdami!

„Brooks Instrument“ projektuoja, gamina ir išbando savo gaminius, kad jie atitiktų įvairius nacionalinius ir tarptautinius standartus. Šie gaminiai turi būti tinkamai montuojami, eksploatuojami ir prižiūrimi, kad ir toliau veiktų pagal jiems būdingus techninius parametrus. Toliau pateiktų nurodymų reikia laikytis ir įtraukti juos į saugos programą montuojant, eksploatuojant ir prižiūrint „Brooks Instrument“ produktus.

- Siekiant užtikrinti tinkamą veikimą, montuoti, eksploatuoti, naujinti, programuoti ir prižiūrėti gaminį turi tik kvalifikuoti darbuotojai.
- Perskaitykite visus nurodymus prieš montuodami, eksploatuodami ir prižiūredami gaminį. Jei gavote netinkamą instrukciją, galiniame jos viršelyje žiūrėkite vietinės prekybos atstovybės kontaktinę informaciją. Išsaugokite šią instrukciją pasižiūrėjimui ateityje.

**⚠️ ĮSPĖJIMAS: nenaudokite šio prietaiso viršydami instrukcijoje ir eksploatacijos vadove nurodytus techninius duomenis. Nesilaikydami šio įspėjimo galite sunkiai susižeisti ir (arba) sugadinti įrangą.**

- Jei nesuprantate kokių nors nurodymų, kreipkitės į „Brooks Instrument“ atstovą, kad paaiškintų.
- Paisykite visų įspėjimų, perspėjimų ir nurodymų, pažymėtų ant gaminio arba pateiktų su juo.
- Įrangą montuokite taip, kaip nurodyta atitinkamos instrukcijos montavimo nurodymuose arba taikomuose vietiniuose ar nacionaliniuose kodeksuose. Visus gaminius junkite prie tinkamų elektros ir slėgio šaltinių.
- Eksploatacija: (1) lėtai įjunkite srautą į sistemą. Lėtai atidarykite proceso vožtuvus, kad išvengtumėte srauto antplūdžių. (2) Patikrinkite, ar nėra nuotėkių aplink srauto matuoklio įleidimo ir išleidimo jungtis. Jei nuotėkių nėra, sukurkite sistemoje darbinį slėgį.
- Prieš atlikdami priežiūros darbus būtina pašalinti slėgį proceso linijoje. Jei reikia pakeisti dalis, užtikrinkite, kad kvalifikuoti darbuotojai naudotų „Brooks Instrument“ nurodytas pakaitines dalis. Netinkamos dalys ir procedūros gali pakenkti gaminio veikimui ir kelti pavojų saugiai jūsų proceso eksploatacijai. Tik panašiai atrodantys pakaitalai gali sąlygoti gaisrą, elektros pavojų ar netinkamą veikimą.
- Užtikrinkite, kad visos įrangos durelės būtų uždarytos, o apsauginiai dangčiai uždėti, kad išvengtumėte elektros smūgio ir sužeidimų, išskyrus kai kvalifikuoti darbuotojai atlieka priežiūros darbus.

**⚠️ ĮSPĖJIMAS: naudojant skysto srauto įrenginius, jei dėl kokios nors priežasties prireikia uždaryti šalia įrenginio esančius įleidimo ir išleidimo vožtuvus, iš įrenginio reikia išleisti visą skystį. To nepadarius galimas šiluminis skysčio plėtimasis, galintis sugadinti įrenginį ir sužeisti žmones.**

### Europos slėginės įrangos direktyva (PED)

Visa slėginė įranga, kurios vidinis slėgis didesnis nei 0,5 bar (g), o dydis didesnis nei 25 mm arba 1 colis, yra reglamentuojama slėginės įrangos direktyvos (PED).

- Šios instrukcijos dalyje „Techniniai duomenys“ pateikiami nurodymai, susiję su PED direktyva.
- Šioje instrukcijoje aprašyti matuokliai atitinka Europos Sąjungos direktyvą 97/23/EB.
- Visi „Brooks Instrument“ srauto matuokliai priklauso 1 skysčių grupei.
- Didesni nei 25 mm arba 1 colis matuokliai atitinka PED I, II arba III kategoriją.
- 25 mm arba 1 colio ar mažesni matuokliai atitinka tinkamą inžinerijos praktiką (SEP).

### Europoje taikomi elektromagnetinio suderinamumo (EMC) reikalavimai

CE ženklą pažymėta „Brooks Instrument“ (elektrinė / elektroninė) įranga buvo sėkmingai išbandyta pagal elektromagnetinio suderinamumo reikalavimus (EMC direktyvą 2004/108/EC (89/336/EEB)).

Bet reikia ypatingo dėmesio renkantis signalizavimo kabelį, kuris bus naudojamas su CE ženklą pažymėta įranga.

#### **Signalizavimo kabelio, kabelių riebokščių ir jungčių kokybė:**

„Brooks Instrument“ tiekia kokybiškus kabelius, kurie atitinka CE sertifikavimo specifikacijas.

Jei naudojate savo signalizavimo kabelį, jis turi būti visiškai ir visas ekranuotas 100 % ekranu.

Naudojamos „D“ arba „apskrito“ tipo jungtys turi būti ekranuotos metaliniu ekranu. Jei taikoma, reikia naudoti metalinius kabelių riebokščius, užtikrinančius kabelio ekrano suspaudimą.

Kabelio ekraną reikia jungti prie metalinio apvalkalo ar riebokščio ir ekranuoti abiejuose galuose 360 laipsnių.

Ekranas turi baigtis įžeminimu.

Standartinės kraštinės jungtys yra ne metalinės. Naudojami kabeliai turi būti ekranuoti 100 % ekranu, kad atitiktų CE sertifikavimą. Ekranas turi baigtis įžeminimu.

Keturių kontaktų konfigūracija: žr. pridėtą instrukciją.

### ESD (elektrostatinis išlydis)

**⚠️ PERSPĖJIMAS: šiame prietaise yra elektroninių komponentų, kuriuos gali sugadinti statinė elektra. Išimant ar įdedant vidines spausdintines plokštes ar įrenginius, arba atliekant su jomis kitus darbus, reikia laikytis tinkamų darbo procedūrų.**

#### **Darbo procedūra:**

1. Atjunkite įrenginio maitinimą.
2. Darbuotojai turi pasirūpinti įžeminimu naudodami riešo juostelę ar kitas saugias priemones prieš įdėdami, išimdami ar reguliuodami bet kokią spausdintinės plokštės kortelę ar kitą vidinį komponentą.
3. Spausdintinės plokštės kortelės reikia transportuoti laidžiame konteineryje. Neleidžiama išimti plokštės iš apsauginio dėklo, nebent prieš pat įdėjimą. Išimtas plokštės reikia nedelsiant įdėti į apsauginį konteinerį transportavimui ar saugojimui arba grąžinti į gamyklą.

#### **Pastabos**

Šis instrumentas nėra unikalus dėl jame esančių ESD (elektrostatiniam išlydžiui) jautrių komponentų. Daugelyje šiųolaikinių elektroninių gaminių yra komponentų, kuriuose naudojama metalo oksidų technologija (NMOS, SMOS ir pan.). Patirtis rodo, kad net ir mažas statinės elektros kiekis gali pakenkti tokiems gaminiams ar juos sugadinti. Sugadinti komponentai, net jei atrodo, kad jie veikia tinkamai, anksti nustoja veikti.

## Model 1358

## Polish

## Zalecenia wstępne

### Prosimy przeczytać przed rozpoczęciem użytkowania!

Brooks Instrument projektuje, wytwarza i testuje swoje produkty tak, aby spełniały wymagania licznych norm krajowych i międzynarodowych. Te produkty muszą być poprawnie instalowane, obsługiwane oraz konserwowane, aby zapewnić ich prawidłowe działanie zgodnie ze specyfikacją techniczną. Podczas instalowania, obsługiwania i konserwowania produktów firmy Brooks Instrument należy przestrzegać następujących zaleceń:

- Aby zapewnić właściwe działanie sprzętu, instalacja, obsługa, aktualizacje, programowanie i konserwacja powinny być wykonywane przez przeszkolony personel.
- Przed instalacją, obsługą i czynnościami serwisowymi należy zapoznać się ze wszystkimi zaleceniami producenta. Aby uzyskać instrukcję obsługi odpowiednią dla danego sprzętu należy skontaktować się z lokalnym przedstawicielem handlowym producenta. Instrukcję obsługi należy zachować do późniejszego użycia.

**▲ OSTRZEŻENIE: Nie wolno przekraczać podanych w instrukcji zakresów działania urządzenia. Nieprzestrzeganie tego zalecenia może doprowadzić do poważnego zagrożenia życia lub zdrowia personelu i / lub uszkodzenia sprzętu.**

- Jeżeli jakieś zalecenia w instrukcji obsługi urządzenia są niezrozumiałe, prosimy o skontaktowanie się z przedstawicielem firmy Brooks Instrument, aby wyjaśnić problem.
- Należy postępować biorąc pod uwagę wszystkie ostrzeżenia, uwagi i zalecenia umieszczone na produkcie lub dołączone do niego.
- Instalację urządzenia należy przeprowadzić zgodnie z zaleceniami zawartymi w instrukcji instalacji oraz z obowiązującymi lokalnymi i narodowymi oznaczeniami. Wszystkie urządzenia można podłączać wyłącznie do odpowiednich źródeł energii elektrycznej oraz ciśnienia.
- Pierwsze czynności obsługowe: (1) Należy powoli włączyć przepływ w instalacji. Następnie powoli otworzyć zawory robocze tak, aby uniknąć wahań przepływu. (2) Należy teraz sprawdzić, czy nie występują nieszczelności przy podłączeniach wejściowym i wyjściowym miernika przepływu. Jeżeli nie ma żadnych nieszczelności, można zwiększyć ciśnienie w instalacji do wartości ciśnienia roboczego.
- Przed przystąpieniem do czynności serwisowych należy upewnić się, że ciśnienie robocze jest odłączone. Jeżeli konieczna jest wymiana części zamiennych, należy zawsze stosować części zamienne specyfikowane przez firmę Brooks Instrument a czynności ich wymiany powinien w każdym przypadku dokonywać przeszkolony personel. Stosowanie nieautoryzowanych części i procedur serwisowych może niekorzystnie wpłynąć na działanie produktu oraz zagrozić bezpieczeństwu instalacji. Korzystanie z podobnie wyglądających zamienników może doprowadzić do pożaru, porażenia prądem lub nieprawidłowego działania urządzenia.
- Należy upewnić się, że wszystkie otwory urządzenia są zamknięte a osłony umocowane na swoich miejscach, aby zapobiec obrażeniom ciała lub porażeniu prądem personelu. Zalecenie to nie dotyczy przeszkolonego pracownika wykonującego prace serwisowe lub konserwacyjne.

**▲ OSTRZEŻENIE: W przypadku mierników przepływu cieczy, jeżeli znajdujące się na nich zawory wejściowe i wyjściowe mają być z jakiegos powodu zamknięte, to urządzenie musi zostać całkowicie opróżnione z ciekłego medium. Niedopełnienie tego zalecenia może doprowadzić do termicznego zwiększenia objętości cieczy, co z kolei może spowodować uszkodzenie urządzenia i obrażenia personelu.**

#### Europejska dyrektywa dotycząca urządzeń ciśnieniowych (PED)

Wszystkie urządzenia ciśnieniowe pracujące przy ciśnieniu wewnętrznym względnym większym niż 0.5 bara i wielkości powyżej 25 mm lub 1 cala podlegają dyrektywie europejskiej dotyczącej urządzeń ciśnieniowych (PED).

- Rozdział „Specyfikacja techniczna” niniejszej instrukcji zawiera zalecenia dotyczące dyrektywy PED.
- Mierniki opisane w tej instrukcji są zgodne z dyrektywą EN 97/23/EC.
- Wszystkie mierniki przepływu firmy Brooks Instrument należą do 1-szej grupy cieczy.
- Urządzenia pomiarowe o wielkości powyżej 25 mm lub 1 cala należą do kategorii I, II lub III dyrektywy PED.
- Urządzenia pomiarowe o wielkości 25 mm lub 1 cala lub mniejsze podlegają zaleceniom „Uznanej Praktyki Inżynierskiej” (SEP).

#### Europejska dyrektywa dotycząca kompatybilności elektromagnetycznej (EMC)

Urządzenia elektryczne / elektroniczne firmy Brooks Instrument posiadające oznaczenie CE, przeszły pozytywnie testy pod kątem spełnienia przez nich wymogów kompatybilności elektromagnetycznej (Dyrektywa EMC 2004/108/EC (89/336/EEC)).

Jednakże szczególną uwagę należy poświęcić przy doborze przewodów sygnałowych, które mają być stosowane z urządzeniami ze znakiem CE.

##### **Jakość przewodu sygnałowego, dławic oraz złącz przewodu:**

Firma Brooks Instrument dostarcza wysokiej jakości przewody, które spełniają wymagania zawarte w specyfikacji dla certyfikatu CE.

Jeżeli stosuje się własne przewody sygnałowe, to powinny one być w całości w pełni ekranowane.

Złącza typu „D” lub okrągłe powinny zawierać metalowy ekran. Jeśli to możliwe, należy stosować metalowe dławice przewodu zapewniające mocowanie jego ekranu.

Ekran przewodu powinien być połączony z metalową osłoną lub dławicą zapewniając całkowite, dookólne ekranowanie na obu końcach przewodu. Ekran przewodu powinien być uziemiony.

Złącza krawędziowe są standardowo niemetaliczne. Stosowane przewody muszą być w pełni ekranowane zgodnie z certyfikatem CE.

Ekran przewodu powinien być uziemiony.

Konfiguracja styków jest podana w niniejszej instrukcji obsługi.

#### Wyładowania elektrostatyczne (ESD)

**▲ UWAGA: Urządzenie zawiera części elektroniczne podatne na uszkodzenia spowodowane ładunkami elektrostatycznymi. Przy obchodzeniu się z wewnętrznymi podzespołami i częściami elektronicznymi należy przestrzegać następujących zasad postępowania:**

1. Należy odłączyć zasilanie od urządzenia.
2. Osoba wykonująca czynności musi zostać uziemiona za pomocą opaski na przegubie dłoni lub w inny, bezpieczny sposób, zanim przystąpi do instalacji, wyjęcia lub regulacji obwodów drukowanych lub innych wewnętrznych podzespołów elektronicznych urządzenia.
3. Obwody drukowane należy transportować w przewodzącym pojemniku. Płytki drukowane należy wyjmować z opakowania ochronnego bezpośrednio przed ich montażem. Wymontowane płytki należy niezwłocznie umieścić w opakowaniu ochronnym służącym do transportowania, składowania lub odsyłania do producenta.

##### **Uwagi:**

Fakt, że urządzenie zawiera części nieodporne na wyładowania elektrostatyczne (ESD) jest rzeczą normalną. Większość nowoczesnych urządzeń elektronicznych zawiera komponenty wykonane w technologii tlenków metali (NMOS, SMOS itp.). Jak pokazuje praktyka, nawet niewielkie wyładowanie elektrostatyczne może uszkodzić lub zniszczyć takie urządzenie. Uszkodzone części, nawet jeżeli na pozór działają poprawnie, szybko doprowadzają do nieprawidłowej pracy urządzenia.

## Portuguese

## Instruções Básicas

### Antes de proceder, leia-as!

A Brooks Instrument projecta, fabrica e testa os seus produtos de forma a que os mesmos satisfaçam numerosas normas nacionais e internacionais. Os equipamentos devem ser instalados, explorados e mantidos de maneira adequada, e devem funcionar de acordo com a sua gama de utilização. Durante a instalação, exploração e manutenção dos equipamentos da Brooks Instrument, as instruções seguintes devem ser observadas e integradas no programa de protecção e segurança no trabalho.

- Para assegurar o desempenho adequado a instalação, exploração, actualização, e manutenção do equipamento deve ser realizada, exclusivamente, por pessoal qualificado.
- Antes de instalar, explorar e executar operações de manutenção do equipamento devem ser lidas todas as instruções. No caso do presente manual não ser apropriado procure na capa traseira o distribuidor mais próximo e contacte-o para obter informações adicionais. Guarde este manual para referência futura.

**⚠ ATENÇÃO: não faça funcionar o equipamento fora da gama de trabalho indicada nas instruções de exploração. Da violação desta advertência podem resultar graves lesões pessoais ou avarias no equipamento.**

- Se as instruções deste manual não forem claras, contacte o representante Brooks Instrument para esclarecer as suas dúvidas.
- Observe todas as advertências, apelos e instruções indicadas no equipamento e/ou fornecidas junto com o mesmo.
- Instale o equipamento observando todas as instruções indicadas no manual e as prescrições vigentes nos regulamentos locais e nacionais. Ligue o equipamento exclusivamente às fontes de energia eléctrica e pneumática adequadas.
- Procedimento: (1) Pressurize lentamente o sistema. Abra lentamente as válvulas para evitar variações bruscas de caudal. (2) Verifique se há fugas nas ligações de entrada e saída do medidor de caudal. Se não houver fugas, carregue o sistema à pressão de trabalho.
- Antes de efectuar qualquer operação de manutenção verifique sempre que o equipamento não está sob pressão. Em caso de ser preciso substituir peças estas devem ser as recomendadas pela Brooks Instrument e o trabalho feito por técnicos qualificados. Peças e actuações não conformes poderão influenciar o desempenho do equipamento, ou pôr em risco a sua segurança. A substituição de peças por outras não originais, meramente semelhantes poderá resultar em fogo, choques eléctricos ou funcionamento inadequado.
- Mantenha fechadas todas as portas do equipamento, e verifique que as coberturas de protecção estão nos seus lugares para evitar choques eléctricos e danos pessoais, salvo se for um técnico qualificado e estiver a executar trabalhos de manutenção.

**⚠ ATENÇÃO: Tratando-se de equipamentos em que podem fluir líquidos, se por qualquer razão tiver que fechar as válvulas de entrada e saída contíguas ao equipamento, o mesmo deverá ser prévio, e completamente esvaziado. Da omissão deste procedimento poderão resultar, devido à dilatação térmica do líquido, a destruição do equipamento e eventuais danos pessoais.**

#### Directiva Europeia para equipamentos sob pressão (PED)

Os equipamentos sob pressão interior superior a 0,5 bar (g) e com calibre superior a 25 mm (1 polegada) caem sob a vigência da directiva europeia de equipamentos sob pressão (PED).

- O capítulo "Dados técnicos" do manual contem instruções relativas à Directiva PED.
- Os caudalímetros objecto deste manual satisfazem a directiva 97/23/CE da UE.
- Os caudalímetros Brooks pertencem ao grupo de fluidos 1.
- Os caudalímetros com calibre superior a 25 mm (1 polegada) pertencem às categorias PED I, II, ou III.
- Os caudalímetros de 25 mm (1 polegada) ou menores observam as "Boas regras de engenharia" (SEP).

#### Directiva Europeia referente à Compatibilidade electromagnética (EMC)

Os equipamentos (eléctricos/electrónicos) da Brooks Instrument que têm a marcação CE passaram os testes comprovantes dos requisitos de compatibilidade electromagnética (Directiva EMC número 2004/108/EC (89/336/CEE)).

Ao utilizá-los compete-lhe, todavia, a escolha dos cabos de sinal adequados para os equipamentos com marcação CE.

##### Qualidade dos cabos de sinal, buçins e conectores:

A Brooks Instrument oferece cabos de alta qualidade que cumprem todos os requisitos da marcação CE.

Em caso de utilizar os seus próprios cabos de sinal, tem que garantir uma blindagem a 100%.

Os conectores do tipo "D" ou "circular" têm que ser blindados por uma bainha metálica. Em caso de necessitar de utilizar buçins estes têm que permitir a crimpagem da malha/blindagem do cabo.

A blindagem do cabo deve ser ligada ao corpo metálico ou bocal e ambas as suas metades devem estar blindadas em 360°. A blindagem deve terminar numa ligação à terra.

Os conectores ligados a cartões serão em geral não-metálicos. Os cabos utilizados devem ter fita de blindagem a 100% para satisfazer a marcação CE.

A blindagem, deverá terminar numa ligação à terra.

**Atribuição de pinos:** Veja as instruções de operação anexas.

#### Descarga Electrostatica (ESD)

**⚠ CUIDADO: O equipamento contém peças que são susceptíveis a danos causados pela electricidade estática. Durante a remoção, colocação ou outras manipulações dos cartões de circuitos electrónicos deverão observar-se os procedimentos adequados.**

##### Procedimento de manuseio:

1. Desligar o equipamento da rede.
2. O utilizador, antes de qualquer intervenção, remoção de circuitos ou ajustes em cartões de circuitos ou em outros dispositivos internos, tem que ligar-se à terra por meio duma bracelete de pulso ou outro dispositivo adequado.
3. Os circuitos impressos deverão ser transportados em embalagem condutiva. Os cartões só deverão ser retirados da embalagem protectora imediatamente antes da sua inserção. O cartão retirado deverá ser recolocado imediatamente na embalagem protectora que servirá para o seu transporte, armazenagem, ou retorno a fábrica.

##### Observações:

O equipamento não é único enquanto portador de peças sensíveis à descargas electrostáticas (ESD). Na maioria dos dispositivos electrónicos Brooks encontram-se peças de tecnologia de óxidos metálicos (NMOS, SMOS, etc.). A experiência mostra que até pequenas quantidades de electricidade estática são capazes de danificar ou destruir esses dispositivos. Os componentes danificados, embora funcionem aparentemente bem inicialmente, acabam por falhar prematuramente.



## Model 1358

## Romanian

## Indicații de referință Citiți-le întâi pe acestea!

Brooks Instrument își proiectează, produce și testează produsele într-un mod ce respectă un mare număr de standarde autohtone și internaționale. Aceste instalații trebuie amplasate, exploatate și întreținute corespunzător, pentru ca în toate situațiile, domeniul lor de lucru să corespundă operării normale. În ceea ce privește instalarea, operarea și întreținerea produselor Brooks Instrument, indicațiile de mai jos trebuie respectate și trebuie introduse în programul de protecția muncii.

- Pentru garantarea prestației corecte, instalarea, operarea, actualizarea, programarea și întreținerea produsului poate fi realizată doar de către personal calificat.
- Instrucțiunile de instalare ale produsului trebuie citite integral, înainte de punerea în serviciu și exploatarea sa. În măsura în care ediția acestui manual nu este cea adecvată, identificați pe ultima copertă coordonatele distribuitorului local și pentru lămuriri suplimentare adresați-vă acestuia. Păstrați acest manual pentru referințe ulterioare.

**⚠ ATENȚIE: Nu utilizați instalația în afara intervalului de funcționare indicat în instrucțiunile de operare. Nerespectarea acestui lucru se poate solda cu răni grave de persoane sau defectarea instalației.**

- În măsura în care indicațiile cărții mașinii nu sunt suficient de lămuritoare, luați legătura cu reprezentantul Brooks Instrument pentru clarificarea problemei.
- Păstrați toate avertismentele, avizele și instrucțiunile livrate odată cu instalația sau inscripționate pe aceasta.
- Efectuați instalarea echipamentului în conformitate cu indicațiile de instalare corespunzătoare, respectiv cu respectarea prevederilor naționale. Echipamentul se conectează exclusiv la surse de energie electrică și de presiune corespunzătoare.
- Succesiune: (1) Presurizați lent instalația. Deschideți încet cu încetul supapa de funcționare pentru evitarea fluctuațiilor de flux. (2) Controlați dacă nu sunt prelingeri la intrarea sau ieșirea debitmetrului de branșare. Dacă nu sunt scurgeri, presurizați instalația la presiunea de lucru.
- Înaintea exploatarei/ întreținerii, verificați neapărat dacă conducta uzinală nu este sub presiune. În măsura în care este nevoie de piese de schimb, este neapărat necesar ca manevrarea pieselor de schimb să fie făcută de personal cu calificare profesională agreat de Brooks Instrument. Utilizarea altor piese de schimb decât cele originale și licențiate poate avea efecte asupra performanțelor instalației și asupra siguranței sale în exploatare. Utilizarea de piese asemănătoare de substituție poate avea ca rezultat pericol de incendiu și electrocutare.
- În toate cazurile toate ușile instalației trebuie să fie închise, cuștile de protecție să fie puse la locurile lor, pentru evitarea electrocutării și rănirii de persoane, exceptând situațiile când un specialist efectuează lucrări de întreținere.

**⚠ ATENȚIE: În cazul instalațiilor cu flux de fluide, dacă din orice motiv este necesară închiderea valvelor de intrare și ieșire, limitrofe instalației, instalația trebuie complet golită. Neglijarea acestui lucru poate avea ca efect dilatarea termică a fluidului, care poate defecta instalația și poate produce răni de persoane.**

### Directiva europeană pentru instalațiile sub presiune (PED)

Toate instalațiile și sistemele presurizate ce se află sub presiuni interne ce depășesc 0,5 mbar (g) și au mai mult de 25 mm sau 1 țol, cad sub incidența normei europene corespunzătoare (PED).

- La capitolul "Date tehnice" din cartea mașinii se găsesc indicațiile corespunzătoare directivei PED.
- Mijloacele de măsurare menționate în cartea mașinii corespund directivei 97/23/EK EU.
- Toate debitmetrele Brooks corespund clasei 1 de fluide.
- Mijloacele de măsurare mai mari de 25 mm sau 1 țol corespund categoriei PED I, II sau III.
- Mijloacele de măsurare mai mici de 25 mm sau 1 țol se conformează practicii ingineresti acceptate (SEP).

### Directiva europeană privitoare la compatibilitatea electromagnetică (EMC).

Instalațiile (electrice /electronice) ce poartă marca Brooks Instrument CE îndeplinesc cu succes cerințele testelor de verificare ale compatibilității electromagnetice (Cf. directivelor europene EMC cu nr. 2004/108/EC (89/336/EGK)).

În același timp trebuie acordată o atenție deosebită la alegerea cablurilor de semnalizare utilizate pentru instalațiile ce poartă marcajul CE.

**Calitatea cablurilor de semnalizare, a legăturilor prin cablu și a conectoarelor:**

Brooks Instrument oferă cabluri de calitate ridicată, care corespund cerințelor calitative ale CE.

În măsura în care folosiți cabluri proprii, trebuie alese acelea care sunt 100% ecranate și prevăzute cu filtre

Conectoarele „D” sau cele „circulare” trebuie să dispună de ecrane metalice. În caz de nevoie trebuie folosite conectoare metalice pentru montarea filtrelor de cablu.

Filtrul de cablu trebuie conectat la carcasa metalică sau manșon și în ambele cazuri trebuie asigurată ecranarea la 360°. Ecranarea trebuie terminată cu o legare la pământ.

Conform standardului, conectoarele aparținând plăcilor electronice nu sunt metalice. Cablurile folosite trebuie să fie 100% ecranate și prevăzute cu filtre pentru a corespunde clasificării CE.

Ecranarea trebuie terminată cu o legare la pământ.

Configurație de contact: Vezi instrucțiunile de operare atașate.

### Descărcare electrostatică (ESD)

**⚠ ATENȚIE: Instalația include piese care sunt predispușe la defectare sub influența electricității statice. Trebuie respectate metodele corespunzătoare de extragere, instalare sau alte manipulări ale circuitelor electronice.**

**Procedură de manipulare:**

1. Instalația trebuie scoasă de sub tensiune.
2. Înaintea de inserarea, scoaterea sau reglarea vreunei cartele electronice, sau a altui dispozitiv intern, persoana trebuie să se lege la pământ cu banda pentru articulația mâinii sau alte dispozitive de siguranță disponibile pentru acest scop.
3. Cartelele cu cablaje electronice imprimate trebuie transportate în ambalaje anti-electrostatice (conductive). Cartelele se pot scoate din ambalaj, doar nemijlocit înaintea amplasării lor. Cartela demontată trebuie pusă neîntârziat în ambalajul de protecție în vederea transportării, a depozitării sau returnării la producător.

**Observații:**

În echipamente se găsesc adesea componente sensibile la descărcare electrostatică (ESD). Majoritatea echipamentelor moderne includ componente electronice realizate în tehnologie metal-oxid semiconductor (NMOS, SMOS, etc.) Experiența a dovedit că acestea pot fi afectate sau deteriorate chiar de energii electrostatice de slabă intensitate. Componentele defectate, cu toate că în aparență sunt funcționale, duc în timp la defecțiuni incipiente.

## Slovak

## Základné príkazy Prečítať pred inštaláciou!

Brooks Instrument svoje výrobky projektuje, vyrába a testuje takým spôsobom, aby tieto vyhovel domácom aj medzinárodným normám. Tieto zariadenia je potrebné predpísaným spôsobom inštalovať, prevádzkovať a udržiavať, na zabezpečenie ich spoľahlivej a normálnej prevádzky v celom pracovnom rozsahu. Nižšie uvedené príkazy je potrebné dodržiavať a začleniť do programu bezpečnostných predpisov v priebehu inštalácie, prevádzky a údržby výrobkov Brooks Instruments.

- V záujme zabezpečenia vyhovujúceho výkonu inštaláciu, prevádzku, programovanie, aktualizáciu a údržbu zariadení má vykonávať výlučne odborné kvalifikovaný personál.
  - Pred inštaláciou, prevádzkou a servisom zariadení je potrebné prečítať všetky príkazy. Ak táto príručka nie je správna, tak na zadnej strane treba nájsť miestneho distribútora, kontaktovať ho pre ďalšie informácie. Pre neskoršie informácie uschovajte príručku.
- ▲ UPOZORNENIE: Neprevádzkovať zariadenie v rozsahu mimo rozsahu uvedenom v prevádzkovej príručke. Porušenie tohto oznámenia môže mať za následok ťažkú ujmu na zdraví a vedie k poškodeniu zariadenia.**
- Ak príkazy v návode nie sú jednoznačné, kontaktujte zástupcu Brooks Instrument na objasnenie problémov.
  - Dodržujte všetky upozornenia, príkazy a usmernenia uvedené na zariadení, alebo s ním dodané.
  - Zariadenia inštalujte podľa návodu uvedeného v príkaze na inštaláciu, v súlade s miestnymi a národnými predpismi. Zariadenie pripojte výlučne len na vyhovujúci elektrický a tlakový zdroj
  - Postup: (1) Pomaly natlakujte systém. Prevádzkový ventil otvorte pomaly na zamedzenie kolísania prietoku. (2) Prekontrolujte tesnosť vstupného a výstupného zapojenia prietokomeru. Keď nie je presakovanie, spoje sú tesné, naplniť systém na prevádzkový tlak.
  - Pred vykonávaním servisných prác kontrolovať, či systém nie je pod tlakom. V prípade, že je potrebná výmena súčiastky, výmenu dielov, určených Brooks Instrument musí vykonať kvalifikovaná osoba. Použitie nepovolených dielov a vykonávanie nepovolených aktivít ohrozujú bezpečnosť prevádzky a majú negatívny vplyv na výkon zariadenia. Nahradenie súčiastok len podobnými komponentmi môže mať za následok požiar, úraz elektrickým prúdom alebo nedostatočnú funkciu zariadenia
  - Všetky ochranné kryty, dvierka zariadenia majú byť zatvorené na zabezpečenie ochrany proti úrazu elektrickým prúdom a proti poraneniám obsluhy. Výnimku tvorí vykonávanie údržby kvalifikovaným odborníkom.

**▲ UPOZORNENIE: Pri zariadeniach s prietokom kvapalín, keď z akéhokoľvek dôvodu je nutné uzavrieť vstupné a výstupné ventily, zariadenie je potrebné úplne vyprázdniť. Zanedbanie vypúšťania má za následok poškodenie zariadenia s možnosťou zranenia obsluhy z dôvodu tepelnej rozťažnosti náplne.**

### Európska smernica vzťahujúca sa na tlakové zariadenia (PED)

- Všetky zariadenia s vyšším vnútorným pretlakom ako 0,5 bar (g), a väčšieho rozmeru ako 25 mm alebo 1 anglický palec, podliehajú pod Európsku smernicu vzťahujúcu sa na tlakové nádoby (PED).
- Kapitola "Technické údaje" návodu na obsluhu obsahuje príkazy vzťahujúce sa na smernicu PED.
- Meracie prostriedky uvedené v návode na obsluhu vyhovujú smernici 97/23/ES EÚ.
- Všetky prietokomery Brooks patria do 1. skupiny kvapalín.
- Meracie prístroje presahujúce rozmery 25 mm alebo 1 " spĺňajú I., II., alebo III. kategóriu PED.
- Meracie prístroje menšie alebo rovné ako 25 mm alebo 1 " zodpovedajú zaužívanej meracej praxi (SEP).

### Európska smernica vzťahujúca sa na elektromagnetickú kompatibilitu (EMC)

Elektrické / elektronické zariadenia Brooks Instrument, ktoré si získali značku CE, úspešne splnili skúšobné testy požiadaviek elektromagnetickej kompatibility (smernica EMC č. 2004/108/EC (89/336/EHS)).

Pritom treba venovať zvláštnu starostlivosť na výber signálnych káblov zariadenia, s označením CE.

#### **Kvalita signálnych káblov, káblových spojov a prípojev:**

Brooks Instrument ponúka vysoko kvalitné káble, ktoré spĺňajú požiadavky kvalitatívneho zaradenia CE.

Ak použijete vlastné signálne káble, majú mať 100%-né tienenie, s plným filtrovaním.

Prípojky "kruhové" alebo tvaru "D" majú mať kovové tienenie. V prípade potreby treba použiť kovové káblové spojky k upevneniu káblového filtra.

Káblový filter treba pripojiť ku kovovému telesu alebo k puzdru, na oboch stranách zabezpečiť tienenie v kruhu 360 °. Tienenie má byť ukončené uzemnením.

Prípojky vedúce ku kartám podľa noriem sú nekovové. Použitie káble, pre vyhovenie predpisom CE musia mať 100%-né filtrovanie tienením.

Tienenie má byť ukončené uzemnením.

Konfigurácia kontaktov: Viď priložený návod na obsluhu. .

### Elektrostatický výboj (ESD)

**▲ UPOZORNENIE: Prístroj obsahuje súčiastky, ktoré môžu byť poškodené od elektrostatických nábojov. Pri montáži, odstraňovaní alebo inej údržby vnútorných obvodových kariet je potrebné dodržiavať príslušné postupy.**

#### **Postup ošetrovania:**

1. Zariadenie odpojiť od napájania.
2. Osoba vykonávajúca údržbu má byť uzemnená uzemňujúcim náramkom, alebo iným, na túto prácu vyhovujúcim spôsobom pred vykonávaním inštalácie, demontáže a nastavenia obvodových kariet alebo iného vnútorného prostriedku.
3. Karty obvodov sa musia prepravovať v elektricky vodivom balení. Karty sa môžu vyberať z ochranného obalu výlučne len tesne pred montážou, zasunutím! Vybranú kartu okamžite treba umiestniť do ochranného obalu, určeného pre dopravu, skladovanie, alebo pre spätnú prepravu do výrobného závodu.

#### **Poznámky:**

Existencia prvkov, ktoré sú citlivé na elektrostatické výboje (ESD) v prístroji je častým javom. U väčšiny moderných elektronických prostriedkov sú použité prvky s technológiou oxidu kovov (NMOS, SMOS, atď.). Skúsenosti dokazujú, že aj nepatrné elektrostatické výboje poškodzujú, zničia tieto prostriedky.

Poškodené súčiastky, aj keď zdánlivo pracujú bez chyby, odkazujú na vznikajúce poruchy.

## Model 1358

## Slovene

## Osnovna navodila

### Najprej preberite jih

Brooks Instrument tako konstruira, izdeluje in testira svoje izdelke, da oni ustrezajo številnim domačim in mednarodnim standardom. Te naprave se morajo ustrezno instalirati, koristiti in vzdrževati, da vsekakor delajo ustrezno normalnom področju funkcioniranja. Naslednjih navodil se mora držati in potrebno je vgraditi v program varstva pri delu pri instaliranju, koriščenju in vzdrževanju izdelkov proizvajalca Brooks Instrument.

- Za jemstvo ustreznega učinka naj izključno strokovno osebje opravlja instaliranje, koriščenje, osveženje, programiranje in vzdrževanje izdelka.
- Potrebno je prebrati vsa navodila pred instaliranjem, koriščenjem in servisiranjem izdelka. V kolikor ta priročnik ni ustrežna publikacija, na zadnji strani poiščite lokalnega distributerja in za nadaljnje informacije stopite z njim v kontakt. Prihranite ta priročnik za poznejše informacije.
- ▲ **OPOMBA: Ne koristite napravo izven področja iz navodila za uporabo. Prekršek tega lahko privede do osebnih poškodb ali okvare naprave.**
- V kolikor navodila priročnika niso enosmiselna, stopite v kontakt z zastopnikom društva Brooks Instrument, da razčistite problem.
- Držite se vseh opozoril, povabil, navodil, ki so navedena na napravi ali skupaj z njim izporočena.
- Napravo instalirajte shodno navodilom in relevantnim lokalnim in nacionalnim navodilom iz navodila za instaliranje.. Izdelek spojite izključno na ustrezni izvir elektrike in obskrbo tlaka.
- Proces: (1) Počasi položite sistem pod tlak. Počasi odpirajte pogonske ventile zaradi izogibanja nihanju pretoka. (2) Preverjajte, ima li curljanja pri povezu vstopa in izstopa merilca toka. Če ni curljanja, naplonite sistem na pogonski tlak.
- Pred servisom vsekakor preverjajte, ali je pogonski vod pod tlakom. Če je potreben rezervni del, vsekakor strokovna oseba mora rokovati z rezervnimi deli odrejenimi od Brooks Instrument. Nedovoljeni rezervni deli in dejavnosti lahko vplivajo na učinek izdelka, oziroma ogrožajo varnostni pogon. Sprememba samo z podobnimi rezervnimi deli lahko ima za posledico požar, nevarnost električnega šoka ali nedovoljno funkcioniranje.
- Vsa vrata naprave vsekakor morajo biti zaprta, zaščitni ovitki morajo biti na svojem mestu zaradi izogibanja šoku in osebnim poškodbam, razen, če na njej strokovnjak opravlja dela vzdrževanja.

▲ **OPOMBA: V primeru naprave za tok tekočine, če je iz katera koli razloga potrebno zapreti vstopne in izstopne ventile pri napravi, naprava se mora celotno izprazniti. Zamuda tega lahko povzroči toplotno proširjenje tekočine, kar poškoduje napravo in lahko povzroči osebno poškodbo.**

#### Evropske smernice za naprave ohranjanja pritiska (PED)

Vsaka naprava ohranjanja pritiska z notranjim pritiskom več od 0,5 bara (g) in večjim od 25 mm ali 1 palca sodi pod Evropskim smernicam za ohranjanje pritiska (PED).

- Poglavje priročnika „Tehnični podatki“ vsebuje navodila, ki se nanašajo na smernice PED.
- Merilni instrumenti navajani v priročniku ustrezajo smernicam EU številke 97/23/EK
- Vsaki merilec pretoka Brooks sodi v skupino tekočin številke 1.
- Merilni instrumenti večji od 25 mm ali 1 palca ustrezajo kategoriji PED I, II, ali III.
- Merilni instrumenti manjši od 25 mm oziroma 1 palca ali manjši sledijo sprejeti inženjski praksi (SEP).

#### Evropska smernica za Elektromagnetno kompatibilnost (EMC)

Naprave Brooks Instrument, ki so zaslužile CE označbo (električni/elektronski) so uspešno izpolnile testove zahteve o elektromagnetni kompatibilnosti (št. 2004/108/EC (89/336/EGK smernice EMC)).

Obenem mora se posebno pozornost posvetiti na izbiro signalnega kabla, ki se uporabljajo za naprave z označbo CE.

##### Kakovost signalnih kablov, povezav kablov, priključkov:

Brooks Instrument nuja kabele visoke kakovosti, ki ustrezajo zahtevam kvalificiranja CE.

V kolikor se uporablja lastni signalni kabel, treba je izbrati, ki za 100 % senco v polni meri filtriran.

Priključki „D“ „olika kroga“ morajo biti zasenčeni kovinskom sencem. Če bo potrebno, uporabite kovinske povezave za pritrjevanje filtra kabla

Filter kabla je treba priključiti na kovinsko ohišje ali plašt in na obe polovici je treba senčiti v 360°. Senčenje mora završiti v ozemljitvi.

Priključki, ki sodijo karitcam normalno nisu kovinskik. Koriščenji kabli moraju biti filtrirani s 100 % senco, da odgovarjajo CE kvalifikaciji.

Sencanje mora imat konec v ozemljitvi.

Konfiguracija stika: Vidi priloženo navodilo za uporabo.

#### Elektrostatično izpražnjeje (ESD)

▲ **OPOZORILO: Naprava vsebuje take sestavne dele, ki so naklonjeni k poškodbi od statične elektrike. Treba se je držati ustreznih postopkov pri odstranjevanju, vlogu ali drugega rokovanja kartic in sredstev notranjih tokovnih krogov.**

##### **Posotpek rokovanja:**

1. napravo je treba izklopiti iz električnega toka.
2. Osebo je treba ozemljiti zapestnim paščekom ali z drugim varnostnim in za ta namen primernim sredstvom preden bi instalirala, jemala, ali nastavila kartico za tokovni krog ali drugo notranjo opremo.
3. Tiskane kartice tokovnega kroga je treba izporočiti v konduktivni embalaži. Karte so odstranjive izključno neposredno pred vlogom iz zaščitne embalaže ven. Izjemljeno kartico nemudoma staviti v zaščitno embalažo za gibanje, skladiščenje ali pošiljanje nazaj.

##### **Opombe:**

Nije poseben pojav, da se v napravi nahajajo občutljivi sestavni deli na elektrostatično pražnjeje (ESD). V večem delu modernih elektronskih sredstev nahajajo se sestavni deli na kovinsko oksidno tehnologijo (NMOS, SMOS itd.). Izkustva potrjujejo, da majhna statična elektrika more poškodovati ali uničiti ta sredstva. Oškodovani rezervni deli, če na videz dobro delajo, nakažejo začetno napako.



Spanish

**Instrucciones básicas  
¡Léalos primero!**

El Brooks Instrument proyecta, fabrica y prueba sus productos de manera que éstos respondan a numerosas normas nacionales e internacionales. Dichas instalaciones deben ser emplazadas, operadas y mantenidas adecuadamente, para que puedan marchar de todas formas en conformidad con el alcance normal de funcionamiento. Las siguientes instrucciones deben cumplirse y incorporadas en su programa de seguridad cuando instalando, operando y mantenimiento los productos Brooks Instrument.

- Para asegurar el adecuado rendimiento, para instalar, operar, actualizar, programar y mantener tiene que realizarse exclusivamente por una persona calificada.
- Antes de la instalación, operación y servicio del producto leer todas las respectivas instrucciones. Si el presente manual no es la adecuada publicación, busque al distribuidor local que figura en la contraportada y póngase en contacto con él para obtener informaciones. Guarde el presente manual para tener informaciones también en el futuro.

**⚠ ATENCIÓN: No haga funcionar los equipos fuera del rango indicado en las instrucciones de funcionamiento. El incumplimiento de estas últimas puede conducir a graves daños personales o a la avería del equipo.**

- Si las instrucciones del manual no son evidentes, póngase en contacto con el representante de Brooks Instrument para aclarar el problema
- Observar todas las alertas, advertencias e instrucciones indicadas en el equipo o suministradas con el mismo.
- Instale su equipo en conformidad con las recomendaciones indicadas en las respectivas instrucciones de instalación y con las pautas de las normas vigentes locales e internacionales. Conectar el producto exclusivamente a la adecuada fuente eléctrica y presión.
- Proceso: (1) Colocar lentamente flujo en el sistema. Abrir lentamente las válvulas de proceso para evitar oscilación del flujo. (2) Verificar si hay fuga alrededor de las conexiones de entrada y salida del flujómetro. Si no hay, llenar el sistema con la presión de operación.
- Antes de efectuar el servicio, verificar si hay presión o no en la tubería de la red. Si se requiere realizar un recambio de piezas, solamente el personal calificado puede manipular las piezas de repuesto determinadas por Brooks Instrument. Las piezas y operaciones no autorizadas pueden afectar el rendimiento del producto o arriesgar el funcionamiento seguro. El recambio realizado con piezas sólo similares pueden traer como consecuencias incendios, choques eléctricos o funcionamiento bajo.
- Todas las puertas de la instalación deben estar cerradas, las cubiertas de protección tienen que hallarse en el debido sitio con el fin de evitar los daños personales y los choques eléctricos, salvo cuando un especialista efectúa el mantenimiento.

**⚠ ADVERTENCIA: En caso de instalaciones que circulen líquido, si por cualquier razón se hubiera de cerrar las válvulas de entrada y salida situadas al lado del equipo, dichas instalaciones deberán ser completamente vaciadas. La omisión de esto último puede provocar la dilatación térmica del líquido, lo que puede dañar al equipo y conducir a daños personales.**

**Directriz Europea de los Equipos de Presión (PED)**

Todos los equipos de presión, con una presión interna que supere a 0,5 bar (g) con tamaño mayor a 25 mm o 1 pulgada entran el ámbito de la Directriz Europea de los Equipos de Presión (PED).

- El capítulo Datos Técnicos del manual incluye las instrucciones respecto a las directivas de PED
- Los instrumentos de medición indicados en el Manual responden a las EN directivas 97/23/EC.
- Todos los flujómetros Brooks pertenecen a la categoría 1 del grupo de fluidos.
- Los instrumentos de medición más grandes que 25 mm o 1 pulgada están en conformidad con las categorías I, II o III de PED
- Los instrumentos de medición más pequeños que 25 mm o 1 pulgada siguen la Práctica Aceptada de Ingeniería (SEP).

**Directriz Europea respecto a la Compatibilidad Electromagnética (EMC)**

Las instalaciones de Brooks Instrument (eléctricas/electrónicas) merecedores de la categoría CE cumplieron con éxito las pruebas que verifican las exigencias de la compatibilidad electromagnética (directiva de EMC No.89/336/EEC)

Al mismo tiempo se ha de prestar una especial atención en la selección de los cables de señal, utilizados con los equipos marcados con CE.

**Calidad de los cables de señal, piezas de unión de cable y conectores:**

El Brooks Instrument ofrece cables de alta calidad, que responden a los requerimientos de calificación CE.

Si se utiliza cable propio de la firma, se ha de elegir uno que sea completamente filtrado con blindaje de 100%.

Las piezas de unión de forma „D” o „circular” deben ser blindadas mediante blindaje metálica. Si es necesario, aplicar piezas de unión de metal para sujetar el filtro de cable.

Conectar el filtro de cable a la caja o manguito de metal blindándolo en ambas caras en 360°.

El blindaje debe terminar en tierra.

Los conectores que pertenecen a las tarjetas normalmente no son metalizados. Los cables utilizados deben ser filtrados con una blindaje de 100% para responder a la calificación CE.

El blindaje debe terminarse en tierra.

Configuración de contacto: Véase Instrucciones de operación adjuntas.

**Descarga Electroestática (ESD)**

**⚠ PRECAUCIÓN: El aparato incluye piezas electrónicas que son susceptibles a los daños provocados por la electricidad estática. Observar los adecuados procesos para remover, instalar o manipular las tareas y medios de circuitos eléctricos internos**

**Proceso de operación:**

1. Desconectar la fuente eléctrica de la unidad.
2. La persona debe ponerse a tierra mediante una palanca acodada o por otro medio seguro y apropiado para dicho fin antes de instalar, sacar o ajustar el circuito impreso eléctrico u otro medio interno.
3. El circuito impreso debe ser transportado en embalaje conductor. Las tarjetas no pueden sacarse de la cubierta protectora exclusivamente directamente antes de la instalación. Las tarjetas desmontadas deben colocarse sin tardar en el embalaje protector utilizado para manipulación, almacenamiento o devolución a la fábrica.

**Notas:**

Esto equipo no es el único contenido de piezas susceptibles a la descarga electroestática (ESD). En la mayoría de los medios electrónicos modernos se encuentran piezas fabricadas por tecnología de óxido metálico. (NMOS, SMOS etc.). Las experiencias confirman que incluso una mínima electricidad estática puede dañar o destruir dichos medios. Las piezas averiadas, aunque funcionen aparentemente bien, indican una falla inicial.

## Model 1358

## Swedish

## Väsentliga anvisningar. Läs detta innan du fortsätter !

Brooks Instrument konstruerar, tillverkar och testar sina produkter med syfte att uppfylla alla nationella och internationella standarder. Dessa produkter måste installeras på rätt sätt, handhas och underhållas för att de skall fungera kontinuerligt enligt deras normala specifikation. De följande anvisningarna bör följas och integreras till Ert säkerhetsprogram varje gång när Brooks Instruments produkter installeras, handhas och underhålls.

- För att garantera angiven funktion, använd kvalificerad personal till att installera, handha, uppgradera, programmera och serva produkten.
- Läs alla instruktioner innan produkten installeras, startas upp och underhålls. Om du finner att denna instruktionshandbok inte är den rätta instruktionsboken, titta på i slutet av pärmen för information om hur man kan kontakta lokala representanter. Spara denna instruktions manual för senare behov.

**⚠ VARNING: Kör inte detta instrument utanför dess specifikationer som är angiven i Instruktionsboken. Undvikande att ta denna varning kan leda till allvarliga personliga skador och / eller skada utrustningen.**

- Om du inte förstår någon av dessa instruktioner, kontakta din representant för Brooks Instrument för klarläggande.
- Följ alla varningar och instruktioner som följer med leveransen av denna produkt.
- Installera din utrustning på sättet som anges i den gällande handbokens installationsanvisningar och enligt tillämpliga lokala och nationella föreskrifter. Koppla varje produkt till föreskriven ström- och tryckkällan.
- Igångsättning: (1) Koppla långsamt på flöde i systemet. Öppna processventiler sakta för att undvika för höga flöden. (2) Kontrollera läckor vid mätarens anslutningar för in- och utlopp. Om inget läckage förekommer, kör systemet upp till drifttrycket.
- Kontrollera att processledningens tryck är bortkopplat före service. I fall det behöves kompletteras med nya delar, se till att komponenter föreskrivna av Brooks Instrument används. Samt att kvalificerad personal utför arbetet. Ej rekommenderade komponenter och åtgärder kan påverka produktens prestanda och sätta din driftsäkerhet på spel. "Felaktiga" ersättningar kan orsaka eld, elektriska skador samt felaktig funktion.
- Se till att anordningens kåpor och skyddslock ligger på sin plats med syfte att förebygga elektriska kontakt och personliga skador; det enda undantag gäller när underhållsarbete utförs av kvalificerad personal.

**⚠ VARNING: I fall av - flödesmätare / regulatorer för vätskor: Ifall ventiler före och efter skall stängas av, måste alla ledningar tömmas på all vätska. Att ej tömma ledningar alt koppla bort trycket kan göra så att vätskans värmeutvidgning kan spräcka / skada utrustningen och orsaka personliga skador.**

### European Pressure Equipment Directive (PED) - (Rådets Direktiv 99/36/EG av den 29 april 1999[1] om transportabla tryckbärande anordningar)

Alla utrustning för tryck med ett tryck över 0.5 Bar(g) bar och större demensioner än 25 mm eller 1" (inch) faller under Tryck direktiv 99/36/EG av den 29 april 1999[1] om transportabla tryckbärande anordningar - PED.

- Den här Instruktionsbokens Sektion " Specifikation " innehåller anvisningar gällande PED Direktivet.
- Mätare som beskrivs i denna Instruktionsbok är i överensstämmelse med EN Direktivet 97/23/EC.
- Brooks Instruments alla flödesmätare faller under flödesgrupp nr. I.
- Mätare som är större än 25 mm eller 1" (inch) överensstämmer med PED kategorier I, II eller III.
- Mätare på 25mm eller 1" (inch) eller mindre faller under Sound Engineering Practice (SEP) (God Teknisk Praxis).

### European Electromagnetic Compatibility (EMC) - Elektromagnetisk kompatibilitet

Brooks Instrument (elektriska/elektroniska) CE-märkta anordningar har redan genomgått ett framgångsrikt prov enligt regleringar under Electromagnetic Compatibility (EMC directive 2004/108/EC (89/336/EEC)). Man måste dock ägna särskild uppmärksamhet till valet av signalkabeln som skall används för CE-märkta anordningar.

#### Signalkablars, packboxars och kontaktdons kvalitet:

Brooks Instrument levererar högkvalitativa kablar som överensstämmer med specifikation för CE-intygade produkter.

Om man använder sin egen signalkabel, då bör man använda en kabel som är fullständigt skärmad med en 100% avskärmning.

"D" eller "Cirkelformiga" kontaktdon skall vara skärmade med metalliska avskärmningar. Om det är användbart, bör metallpackboxar som ger en bra fastspänning för kabelskärmar användas.

Kabelavskärmningen måste kopplas till den metalliska skärmande anordningen eller packboxen och skärmas vid båda ändar runt omkring. Avskärmningens avspänning måste jordas.

Card Edge Kontaktdon är icke metalliska. För att överensstämma med krav på CE-intyg, skall de kablarna som används vara skärmade med 100% skärmning.

Skärmningen måste jordas.

Vad gäller stiftkonfigurationen: Se den bifogade Instruktionshandboken.

### ESD (Elektrostatiska urladdningar)

**⚠ OBS: Denna utrustning innehåller elektroniska komponenter som är lättpåverkade av skada orsakad av statisk elektricitet. Lämplig hanteringsprocedur måste följas när man tar bort, installerar eller på något annat sätt hanterar inre kretskort eller andra anordningar.**

1. Ström till enheten måste kopplas från.
2. Personalen måste jordas med hjälp av ett armband eller något annat säkert medel innan något kretskort eller andra inre anordningar installeras, tas bort eller justeras.
3. Kretskort måste transporteras i en speciell förpackning för elektronik. Kort skall ej tas bort från deras skyddsskåpa innan man skall installera dem. De borttagna korten bör omedelbart läggas i speciell förpackning för transport, lagring eller återlämnande till fabriken.

#### Anmärkningar:

Dessa instrument är ej unika vad gäller dess ESD (Elektrostatiska urladdningar) - känsliga komponenter. De flesta samtida konstruktioner innehåller komponenter som utnyttjar metalloxid teknologi (NMOS, SMOS, o.s.v.). Erfarenhet har visat att även små mängder av statisk elektricitet kan skada eller förstöra dess komponenter. Skadade komponenter - även om de annars verkar fungera ordentligt - har ofta en kortare livslängd. .

**Installation and Operation Manual**

X-VA-1358-eng

Part Number: 541B041AAG

February, 2011

Model 1358

---

*THIS PAGE WAS  
INTENTIONALLY  
LEFT BLANK*

## Model 1358

### LIMITED WARRANTY

Seller warrants that the Goods manufactured by Seller will be free from defects in materials or workmanship under normal use and service and that the Software will execute the programming instructions provided by Seller until the expiration of the earlier of twelve (12) months from the date of initial installation or eighteen (18) months from the date of shipment by Seller. Products purchased by Seller from a third party for resale to Buyer ("Resale Products") shall carry only the warranty extended by the original manufacturer.

All replacements or repairs necessitated by inadequate preventive maintenance, or by normal wear and usage, or by fault of Buyer, or by unsuitable power sources or by attack or deterioration under unsuitable environmental conditions, or by abuse, accident, alteration, misuse, improper installation, modification, repair, storage or handling, or any other cause not the fault of Seller are not covered by this limited warranty, and shall be at Buyer's expense.

Goods repaired and parts replaced during the warranty period shall be in warranty for the remainder of the original warranty period or ninety (90) days, whichever is longer. This limited warranty is the only warranty made by Seller and can be amended only in a writing signed by an authorized representative of Seller.

### BROOKS SERVICE AND SUPPORT

Brooks is committed to assuring all of our customers receive the ideal flow solution for their application, along with outstanding service and support to back it up. We operate first class repair facilities located around the world to provide rapid response and support. Each location utilizes primary standard calibration equipment to ensure accuracy and reliability for repairs and recalibration and is certified by our local Weights and Measures Authorities and traceable to the relevant International Standards.

Visit [www.BrooksInstrument.com](http://www.BrooksInstrument.com) to locate the service location nearest to you.

### START-UP SERVICE AND IN-SITU CALIBRATION

Brooks Instrument can provide start-up service prior to operation when required.

For some process applications, where ISO-9001 Quality Certification is important, it is mandatory to verify and/or (re)calibrate the products periodically. In many cases this service can be provided under in-situ conditions, and the results will be traceable to the relevant international quality standards.




### CUSTOMER SEMINARS AND TRAINING

Brooks Instrument can provide customer seminars and dedicated training to engineers, end users and maintenance persons.

Please contact your nearest sales representative for more details.

### HELP DESK

In case you need technical assistance:

Americas	 1 888 554 FLOW
Europe	 +31 (0) 318 549 290
Asia	 +81 (0) 3 5633 7100

Due to Brooks Instrument's commitment to continuous improvement of our products, all specifications are subject to change without notice.

### TRADEMARKS

Brooks	Brooks Instrument, LLC
Kalrez	DuPont Performance Elastomers
Neoprene	E.I. DuPont de Nemours & Co.
Sho-Rate	Brooks Instrument, LLC
Teflon	E.I. DuPont de Nemours & Co.
Viton-A	DuPont Performance Elastomers



**Brooks Instrument**  
 407 West Vine Street  
 P.O. Box 903  
 Hatfield, PA 19440-0903 USA  
 T (215) 362 3700  
 F (215) 362 3745  
 E-Mail [BrooksAm@BrooksInstrument.com](mailto:BrooksAm@BrooksInstrument.com)  
[www.BrooksInstrument.com](http://www.BrooksInstrument.com)

**Brooks Instrument**  
 Neonstraat 3  
 6718 WX Ede, Netherlands  
 T +31 (0) 318 549 300  
 F +31 (0) 318 549 309  
 E-Mail [BrooksEu@BrooksInstrument.com](mailto:BrooksEu@BrooksInstrument.com)

**Brooks Instrument**  
 1-4-4 Kitasuna Koto-Ku  
 Tokyo, 136-0073 Japan  
 T +81 (0) 3 5633 7100  
 F +81 (0) 3 5633 7101  
 E-Mail [BrooksAs@BrooksInstrument.com](mailto:BrooksAs@BrooksInstrument.com)

