

# Brooks® Metal Sealed Pressure Controllers



*Model SLA7810A/SLA7820A  
Analog I/O,  
Pressure Controller*



*Model SLA7810D/SLA7820D  
Digital I/O DeviceNet™  
Pressure Controller*

# Essential Instructions

## Read this page before proceeding!

Brooks Instrument designs, manufactures and tests its products to meet many national and international standards. Because these instruments are sophisticated technical products, you must properly install, use and maintain them to ensure they continue to operate within their normal specifications. The following instructions must be adhered to and integrated into your safety program when installing, using and maintaining Brooks Products.

- Read all instructions prior to installing, operating and servicing the product. If this instruction manual is not the correct manual, please see back cover for local sales office contact information. Save this instruction manual for future reference.
- If you do not understand any of the instructions, contact your Brooks Instrument representative for clarification.
- Follow all warnings, cautions and instructions marked on and supplied with the product.
- Inform and educate your personnel in the proper installation, operation and maintenance of the product.
- Install your equipment as specified in the installation instructions of the appropriate instruction manual and per applicable local and national codes. Connect all products to the proper electrical and pressure sources.
- To ensure proper performance, use qualified personnel to install, operate, update, program and maintain the product.
- When replacement parts are required, ensure that qualified people use replacement parts specified by Brooks Instrument. Unauthorized parts and procedures can affect the product's performance and place the safe operation of your process at risk. Look-alike substitutions may result in fire, electrical hazards or improper operation.
- Ensure that all equipment doors are closed and protective covers are in place, except when maintenance is being performed by qualified persons, to prevent electrical shock and personal injury.

## Pressure Equipment Directive (PED)

All pressure equipment with an internal pressure greater than 0.5 bar (g) and a size larger than 25mm or 1" (inch) falls under the Pressure Equipment Directive (PED). The Directive is applicable within the European Economic Area (EU plus Norway, Iceland and Liechtenstein). Pressure equipment can be traded freely within this area once the PED has been complied with.

- Section 1 of this manual contains important safety and operating instructions related to the PED directive.
- Meters described in this manual are in compliance with EN directive 97/23/EC module H *Conformity Assessment*.
- All Brooks Instrument Flowmeters fall under fluid group 1.
- Meters larger than 25mm or 1" (inch) are in compliance with category I, II, III of PED.
- Meters of 25mm or 1" (inch) or smaller are Sound Engineering Practice (SEP).

## ESD (Electrostatic Discharge)

### CAUTION

**This instrument contains electronic components that are susceptible to damage by static electricity. Proper handling procedures must be observed during the removal, installation or other handling of circuit boards or devices.**

#### Handling Procedure:

1. Power to unit must be removed.
2. Personnel must be grounded, via a wrist strap or other safe, suitable means before any printed circuit card or other internal device is installed, removed or adjusted.
3. Printed circuit cards must be transported in a conductive container. Boards must not be removed from protective enclosure until immediately before installation. Removed boards must immediately be placed in protective container for transport, storage or return to factory.

#### Comments

This instrument is not unique in its content of ESD (electrostatic discharge) sensitive components. Most modern electronic designs contain components that utilize metal oxide technology (NMOS, SMOS, etc.). Experience has proven that even small amounts of static electricity can damage or destroy these devices. Damaged components, even though they appear to function properly, exhibit early failure.

## Installation and Operation Manual

X-PR-SLA7800-PC-eng

Part Number: 541B047AAG

December, 2008

Model SLA7810 & SLA7820

---

Dear Customer,

We appreciate this opportunity to service your flow measurement and control requirements with a Brooks Instrument device. Every day, flow customers all over the world turn to Brooks Instrument for solutions to their gas and liquid low-flow applications. Brooks provides an array of flow measurement and control products for various industries from biopharmaceuticals, oil and gas, fuel cell research and chemicals, to medical devices, analytical instrumentation, semiconductor manufacturing, and more.

The Brooks product you have just received is of the highest quality available, offering superior performance, reliability and value to the user. It is designed with the ever changing process conditions, accuracy requirements and hostile process environments in mind to provide you with a lifetime of dependable service.

We recommend that you read this manual in its entirety. Should you require any additional information concerning Brooks products and services, please contact your local Brooks Sales and Service Office listed on the back cover of this manual or visit [www.BrooksInstrument.com](http://www.BrooksInstrument.com)

Yours sincerely,

Brooks Instrument

*THIS PAGE WAS  
INTENTIONALLY  
LEFT BLANK*

<u>Paragraph Number</u>		<u>Page Number</u>
<b>Section 1 Introduction</b>		
1-1	Scope .....	1-1
1-2	Description .....	1-1
1-3	Principle of Operation .....	1-2
1-4	Specifications .....	1-8
1-5	Controller Specifications .....	1-9
<b>Section 2 Installation</b>		
2-1	General .....	2-1
2-2	Receipt of Equipment .....	2-1
2-3	Recommended Storage Practice .....	2-1
2-4	Return Shipment .....	2-2
2-5	Transit Precautions .....	2-2
2-6	Typical Configuration .....	2-2
2-7	Gas Process Connections .....	2-2
2-8	Installation Procedures .....	2-3
2-9	In-Line Filter .....	2-4
2-10	Electrical Interface .....	2-4
2-11	Remote Setpoint (Command) Input Analog Mode .....	2-5
<b>Section 3 Operation</b>		
3-1	Overview .....	3-1
3-2	Proportional Band and Integration Time Constant Adjustment .....	3-2
<b>Section 4 Maintenance</b>		
4-1	Overview .....	4-1
4-2	Troubleshooting .....	4-2
<b>Section A CE Certification</b>		
	CE Certification of Mass Flow Equipment .....	A-1
<b>FIGURES</b>		
<u>Figure Number</u>		<u>Page Number</u>
1-1	Model SLA7810/SLA7820 Pressure Transducer .....	1-2
1-2	Model SLA7810/SLA7820 Silicon Chip Configuration .....	1-3
1-3	Model SLA7810/SLA7820 System Block Diagram .....	1-3
1-4	Models SLA7810A and SLA7820A Analog I/O Controller with 1/4" VCR Connections .....	1-4
1-5	Models SLA7810D and SLA7820AD Digital I/O DeviceNet Controller with 1/4" VCR Connections ....	1-4
1-6	Model SLA7820 Controller Upstream .....	1-5
1-7	Model SLA7810 Controller Downstream .....	1-5
1-8	Typical Application of Upstream Controller .....	1-6
2-1	Common Electrical Connections, Analog I/O .....	2-5

*THIS PAGE WAS  
INTENTIONALLY  
LEFT BLANK*

## 1-1 Scope

---

Thank you for purchasing a Brooks Instrument Model SLA7810/SLA7820 Pressure Controller. This instruction manual is intended to provide the user with all the information necessary to install, operate and maintain the Brooks Model SLA7810/SLA7820 Pressure Controller. This manual is organized into sections:

- Section 1 - Introduction
- Section 2 - Installation
- Section 3 - Adjustment and Maintenance
- Section A - CE Certification

It is recommended that this manual be read in its entirety before attempting to operate or repair the Model SLA7810/SLA7820.

## 1-2 Description

---

Brooks Instrument's Model SLA7810/SLA7820 are 1-1/8" wide profile metal sealed instruments that accurately measure and control upstream or downstream pressure. The heart of these devices is a solid-state pressure transducer, which produces an electrical output proportional to pressure. The electronics use this signal to operate a control valve and to provide an output signal. The SLA7800 Series family of pressure measurement and control products offers unparalleled flexibility and performance and is designed for use in advanced gas handling systems. The result is the most accurate, repeatable, and responsive controllers on the market today!

### Superior Valve Technology

The co-planar valve offers unmatched performance. Due to its simplified construction, the valve exhibits superior repeatability, stability, and response time. Instruments are less sensitive to pressure variations in the process because of the larger valve control range. The co-planar valve also offers lower leak-by rates compared to other metal sealed controllers. These advancements ensure a more stable process over time.

### Highly Adaptable Configurations

The 1-1/8" body offers a compact, space saving footprint. The SLA7800 Series family of pressure controllers is easily retrofitable to existing gas box designs that utilize the traditional 1-1/2" body platform. Likewise, the all-digital electronics is adaptable and allows the SLA7800 Series to serve as a direct replacement for existing analog products bringing with them greatly improved accuracy and reliability.

### Broad Array of Communication Options

Brooks offers the SLA7800 Series pressure controllers with a traditional 0-5 volt analog option. Brooks also offers control interface with DeviceNet™, a high-speed (up to 500k baud) digital communication network. Brooks' communication capabilities and device-profiles have been certified by the ODVA (Open DeviceNet Vendor's Association). Other network protocols are in development. Talk to your Brooks representative about your specific needs.

## Model SLA7810 &amp; SLA7820

**Reduced Cost of Ownership**

The Models SLA7810 and SLA7820 allow multi-gas and multi-range capabilities to reduce customer inventory. Storage and pre-programming of up to 10 pressure applications easily permits users to switch between different gases and ranges on a single device. Also, the greater control range provided by the co-planar valve gives users the option to decrease the number of parts needed to control their entire process.

**1-3 Principle of Operation**

The pressure to be measured acts on a stainless steel diaphragm. This pressure is transmitted to the actual sensing element, a silicon chip (refer to Figure 1-1). The chip consists of an anisotropically etched diaphragm with four piezo resistive resistors, configured in a Wheatstone bridge, etched into its surface (refer to Figure 1-2). The mechanical deformation of this diaphragm results in an imbalance of the resistors, which is proportional to pressure. An amplifier provides output to the control circuit as well as the electrical output signal.

In addition to the pressure transducer the Model SLA7810/SLA7820 has an integral control valve and control circuitry. A difference between the pressure and set point signals will cause the electronics to modulate the control valve in order to maintain the desired pressure.

A system block diagram is shown in Figure 1-3.

The integration of pressure transducer, control electronics and control valve into one unit results in a compact size. The mounting dimensions are comparable to a mass flow controller. Refer to Figures 1-4 and 1-5.

The “upstream pressure regulation mode” is shown in Figure 1-6 places the pressure controller at the outlet of the pressure vessel. The pressure in the process upstream of the controller will be constant independent of downstream variation. Pressure measurement and control takes place at the outlet side of the pressure vessel.

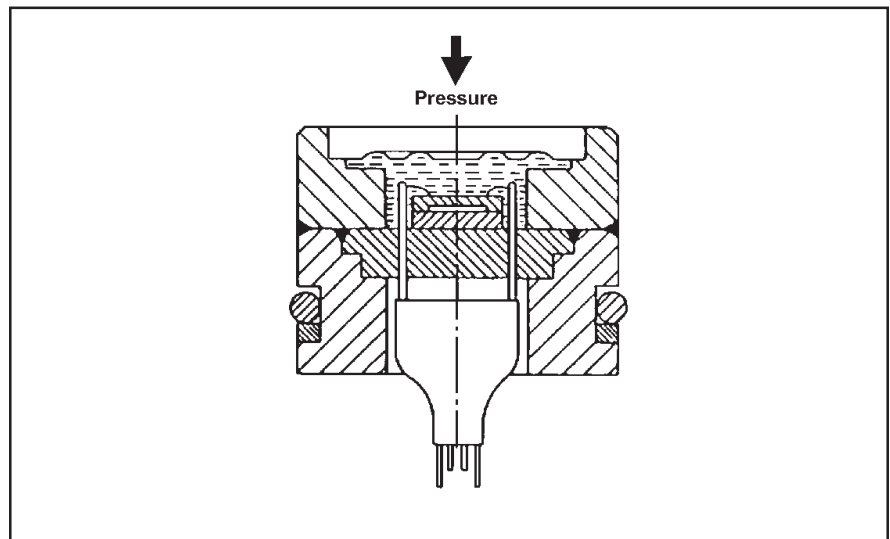


Figure 1-1 Model SLA7810/SLA7820 Pressure Transducer



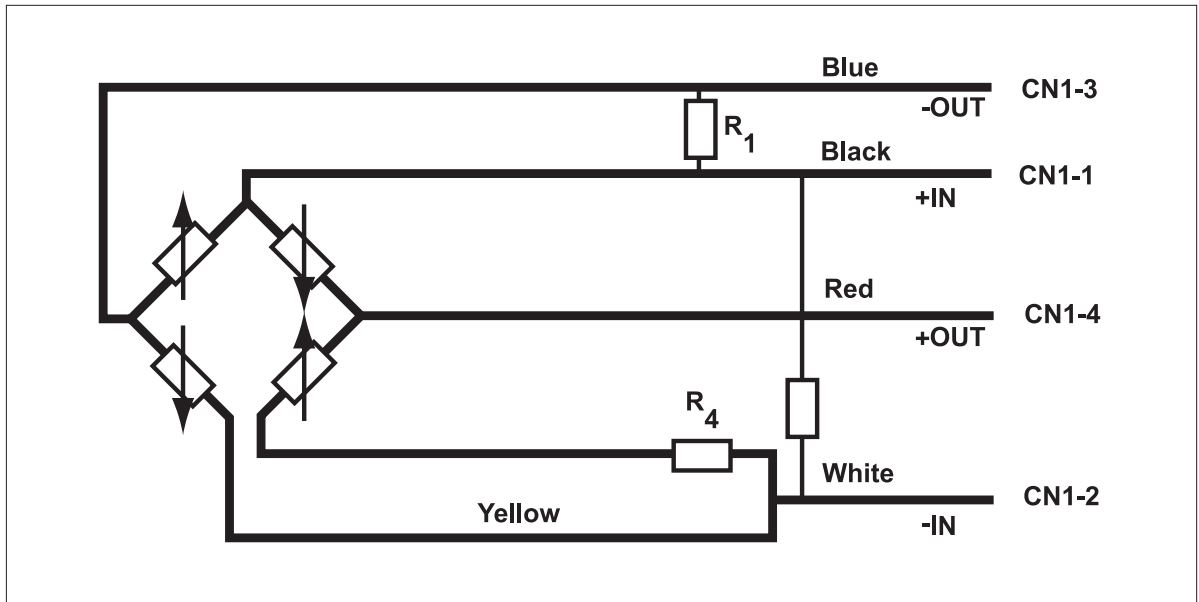


Figure 1-2 Model SLA7810/SLA7820 Silicon Chip Configuration

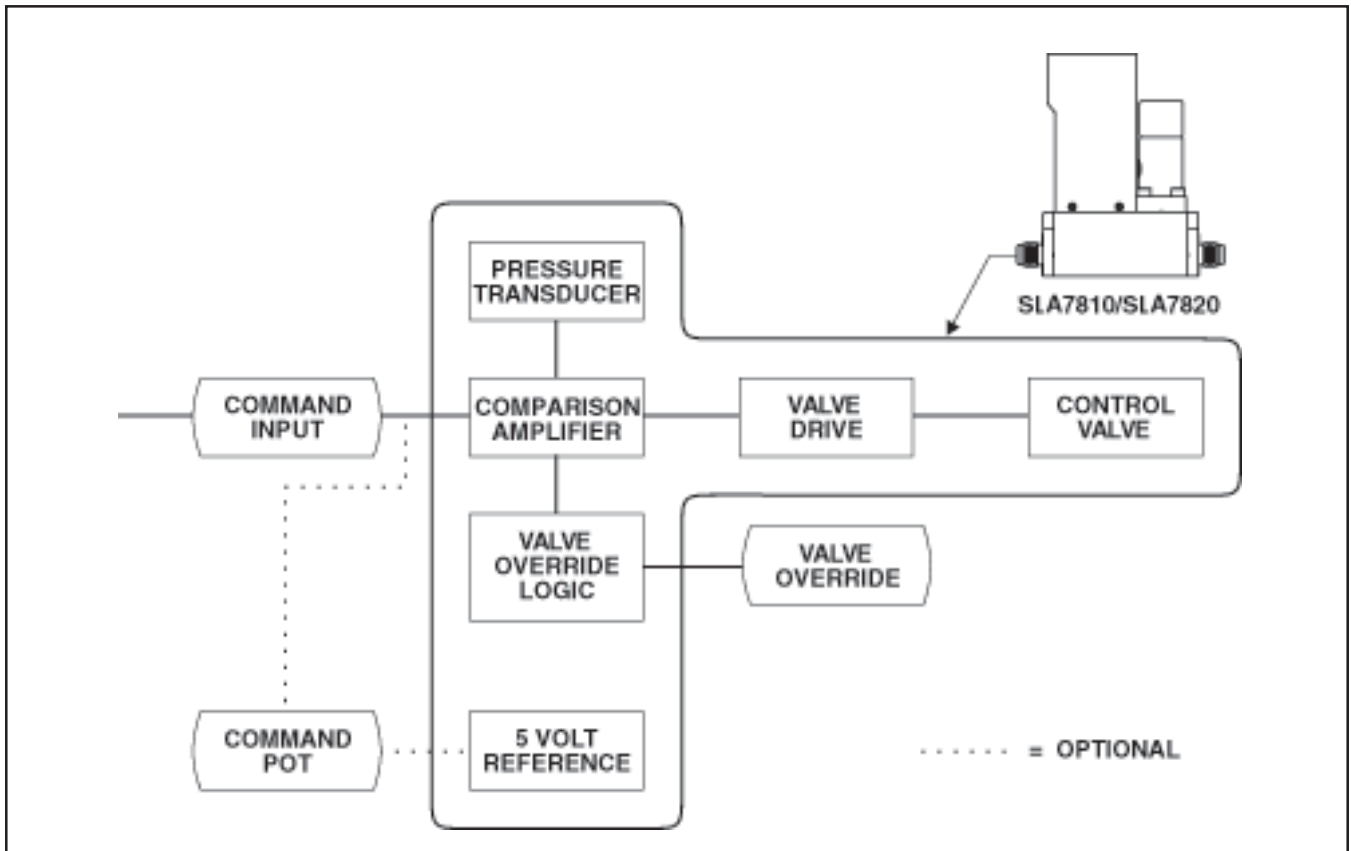


Figure 1-3 Model SLA7810/SLA7820 System Block Diagram.

Model SLA7810 & SLA7820

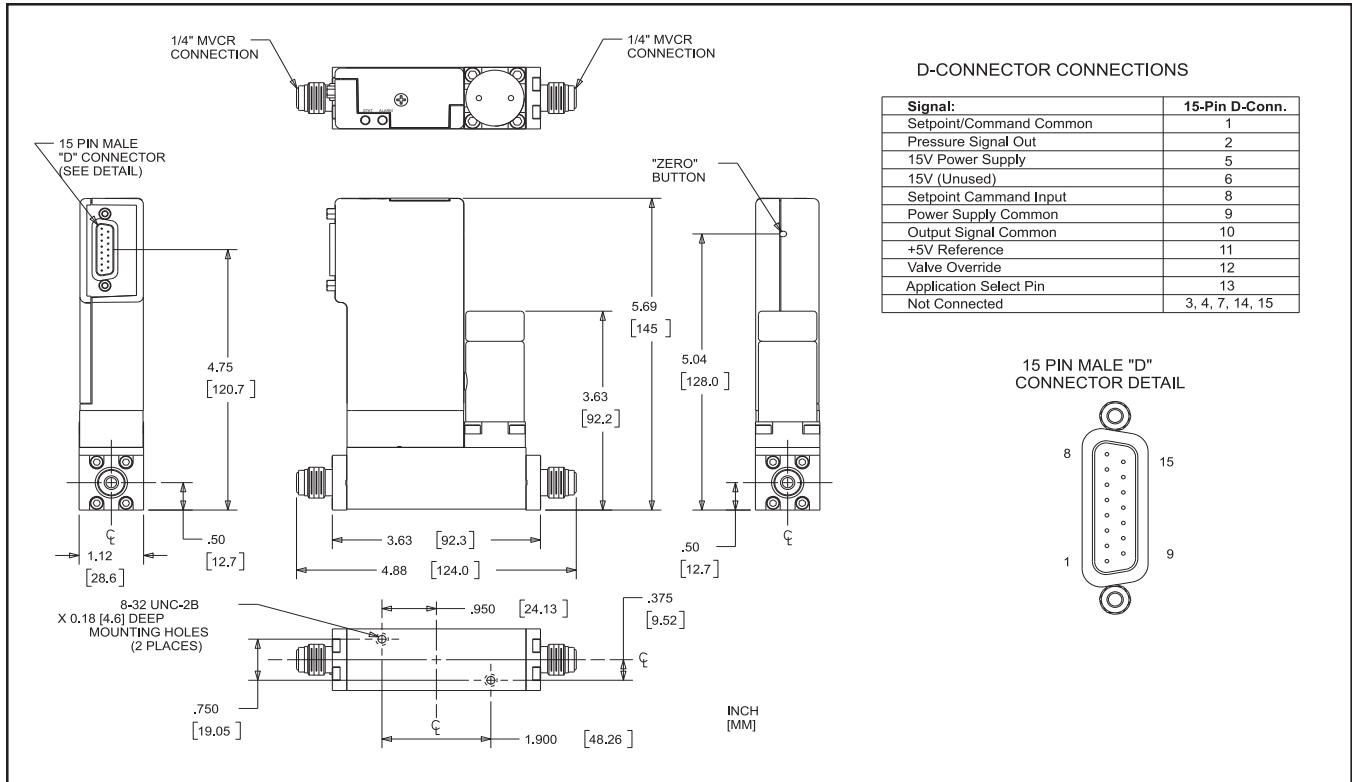


Figure 1-4 Model SLA7810A/SLA7820A Analog I/O Controller with 1/4" VCR Connections

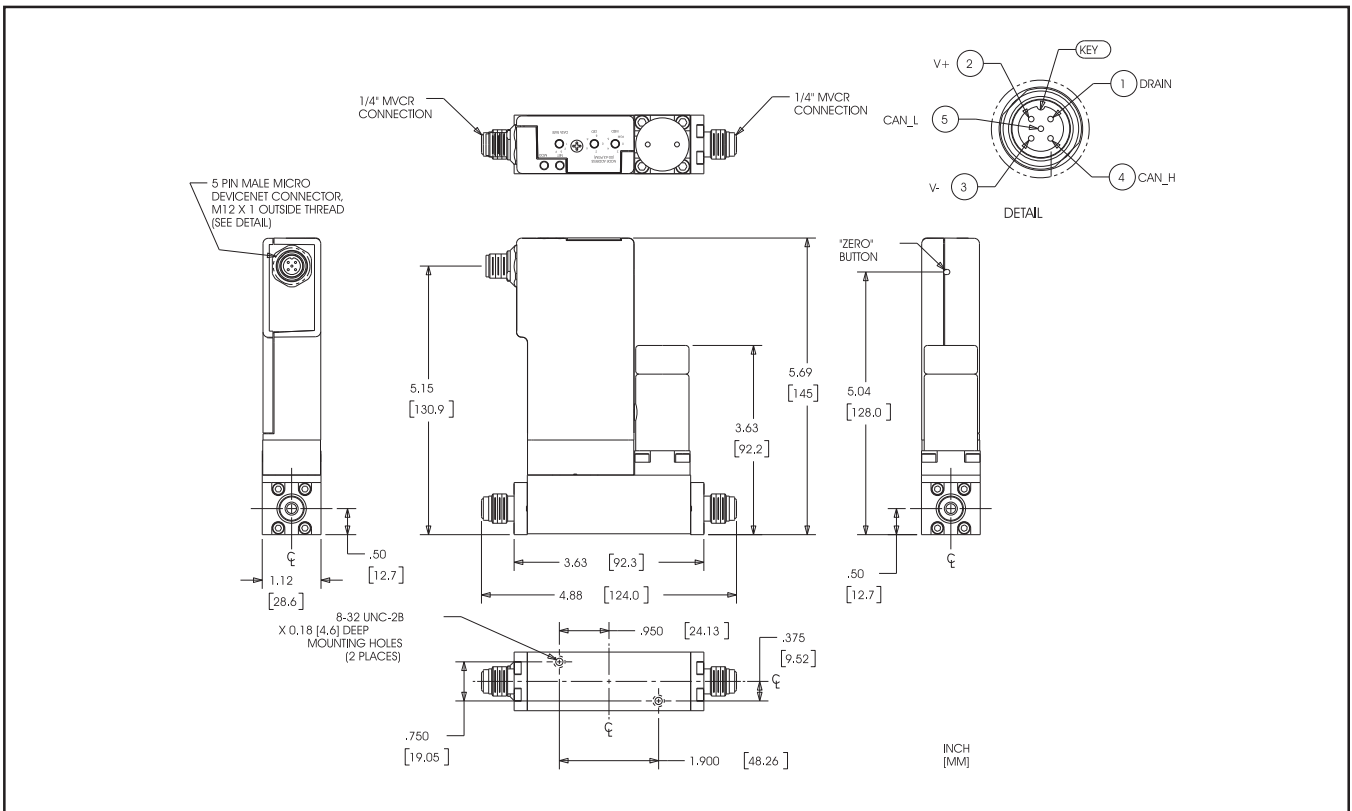


Figure 1-5 Model SLA7810D/SLA7820D Digital I/O DeviceNet Controller with 1/4" VCR Connections

Model SLA7810 & SLA7820

When the pressure controller is used in the “downstream pressure regulation” mode as shown in Figure 1-7, the pressure in the process vessel will be constant independent of upstream variation, provided the upstream pressure does not fall below the downstream setting. Pressure measurement and control takes place at the inlet side of the pressure vessel.

The most common application of the pressure controller is in conjunction with a mass flow controller (refer to Figure 1-8). Mass flow controllers accurately measure and control the required quantity of process gas flows. In this figure, the mass flow controllers will supply the desired quantity and mixture of process gas while the pressure controller will maintain the desired reactor pressure by varying the gas outflow. This system allows the process reactants to be varied while maintaining a constant reaction pressure.

The Model SLA7810/SLA7820 Pressure Controller has proportional and integral control action. The reset or integral control is combined with the proportional control action (normally referred to as P.I. control). Both proportional band and integration time are customer adjustable with a Brooks service tool.

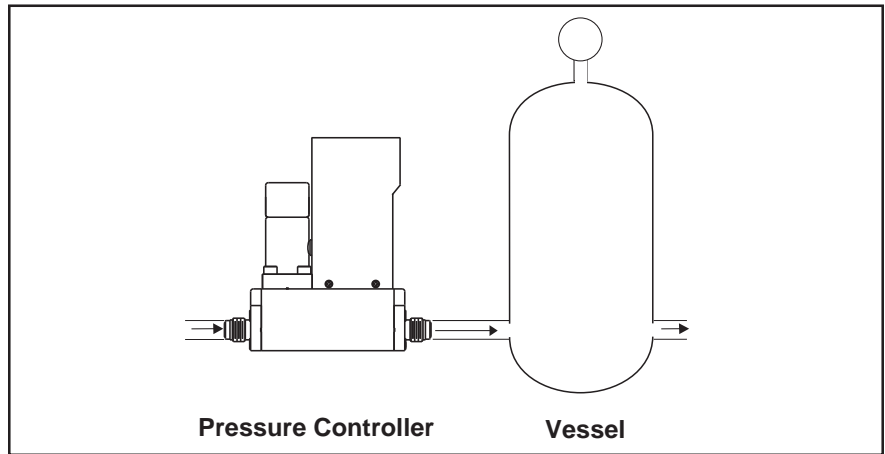


Figure 1-6 Model SLA7820 Controller Upstream

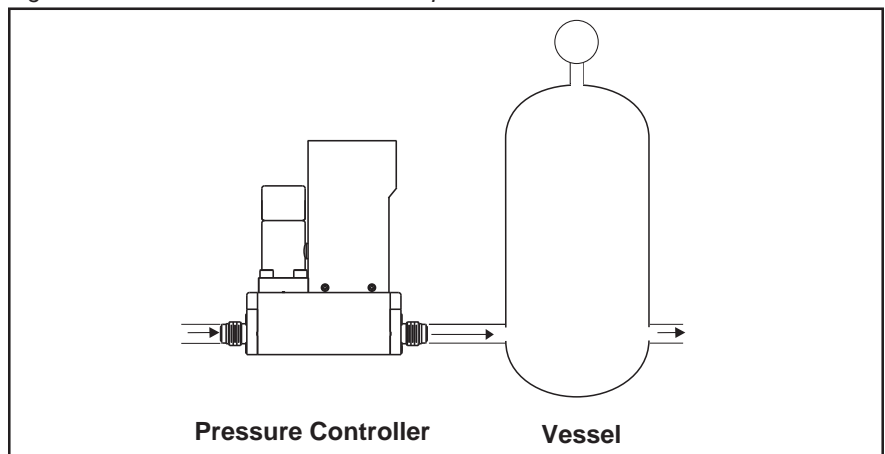


Figure 1-7 Model SLA7810 Controller Downstream

## Model SLA7810 &amp; SLA7820

Note: The Controller Mode and valve type are determined at the time of order. Mechanical parts must be changed to convert modes or valve types.

**Upstream Controller Mode** - The controller is set to maintain the upstream process pressure constant, independent of downstream pressure or flow variations (ref. Fig. 1-6). This is factory configured.

**Downstream Controller Mode** The controller is set to maintain the downstream process pressure constant, independent of upstream pressure or flow variations. This is factory configured.

**Normally Open/Normally Closed Control Valve** - Both Normally Open (N.O.) and Normally Closed (N.C.) configurations are available. Normally Closed is the standard valve type. The Normally Open valve may be specified when Safety, Operation or Process considerations warrant this type of valve.

**Voltage Inputs/Outputs** are factory configured and available on the analog version of the device. This must be specified when ordered.

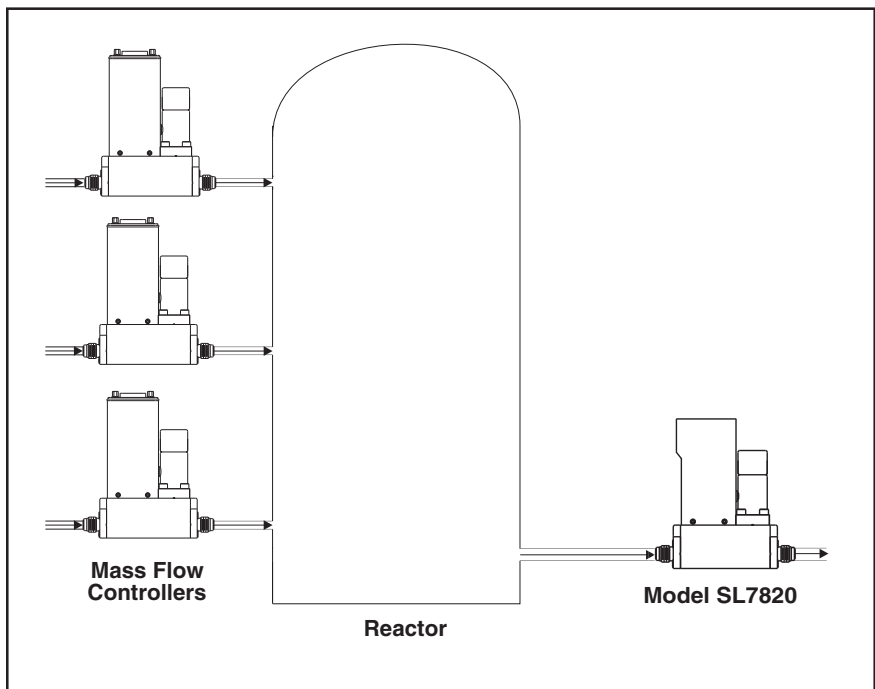


Figure 1-8 Typical Application of Upstream Controller

## 1-4 Specifications

### **⚠ WARNING**

**Do not operate this instrument in excess of the specifications listed in Section 1 of this manual. Failure to heed this warning can result in serious personal injury and/or damage to the equipment.**

#### **Pressure Ranges**

7.25 psia to 290 psia full scale (Metal Seals)

#### **Flow Rates**

0-30,000 sccm\* (Nitrogen Equivalent).

\*Standard pressure and temperature in accordance with SEMI (Semiconductor Equipment and Materials Institute) standard: 32°F (0°C) and 101 kPa (760 Torr). Other reference conditions available upon request.

#### **Accuracy**

±0.5% F.S., including linearity and hysteresis for precision control

#### **Repeatability**

±0.1% full scale

#### **Control Range**

20:1

#### **Zero Stability**

0.1% full scale per 30 days

#### **Ambient Temperature Limits**

Operating: 0°C to 60°C (32°F to 140°F)

Non-operating: -25°C to 100°C (-13°F to 212°F)

#### **Temperature Sensitivity**

±0.1% of F.S. per °C

#### **Maximum Transducer Pressure**

21.75 psia for 0-14.5 psia range

108.5 psia for 14.5-72.5 psia range

435 psia for 72.5-290 psia range

#### **Maximum Design Pressure**

500 psig

#### **Pressure Equipment Directive (PED) 97/23/EC:**

Equipment falls under Sound Engineering Practice (SEP)

Model SLA7810 & SLA7820

**Maximum Fluid Operating Temperature**

0°C to 65°C (32°F to 149°F)

**Leak Integrity**

Inboard to Outboard: 1x10<sup>-10</sup> atm scc/sec Helium max.

**1-5 Controller Specifications**

**Digital software**

Can store 10 selectable P and I settings.

**Input/Output Offset**

< 0.2% full scale (voltage)

**Proportional Gain**


User adjustable via Service port or over DeviceNet interface.

**Integration Time**

User adjustable via Service port or over DeviceNet interface.

**Control Action**

Upstream or downstream pressure control

	<b>⚠ WARNING</b>
<b>METER/CONTROLLER SEAL COMPATIBILITY</b>	
<p>Products in this manual may contain metal or elastomeric seals, gaskets, O-rings or valve seats. It is the "user's" responsibility to select materials that are compatible with their process and process conditions. Using materials that are not compatible with the process or process conditions could result in the Meter or Controller leaking process fluid outside the pressure boundary of the device, resulting in personnel injury or death.</p> <p>It is recommended that the user check the Meter or Controller on a regular schedule to ensure that it is leak free as both metal and elastomeric seals, gaskets, O-rings and valve seats may change with age, exposure to process fluid, temperature, and /or pressure.</p>	

**Materials of Construction**

316L VAR, 316L, and high-alloy ferritic stainless steel.

External/internal seals: nickel

Valve seat: 316L stainless steel

Internal wetted Surface Finish 32 Ra.

### Electrical Connections

Analog I/O option: 15-pin, male  
Digital I/O DeviceNet option: 5-pin Micro-Connector, male  
Power Supply Voltage

### Electrical Connections (continued)

Analog option: +15 Vdc,  $\pm 5\%$   
(traditional -15 Vdc pin is ignored)  
Digital I/O DeviceNet option: 11-25 Vdc nominal = +24 Vdc

### Power Requirements

Analog I/O option, with valve: 3.6 Watts Typical, 4.0 Watts Max.  
Digital I/O DeviceNet option, w/valve: 6.9 Watts Typical, 7.6 Watts Max

Class III Equipment: The dc Mains input shall be supplied from a SELV (Separated Extra-Low Voltage) source.

### Output Signals

Pressure Output (Analog I/O option only)  
0-5 Vdc into 2 Kohm-minimum load. Output will indicate process-variable up to 5.5 Vdc (110% F.S.).

### 5 Volt Reference Output

5 Volts  $\pm 0.2\%$  min Load 1 Kohms.

### Pressure Setpoint Signals

Command-Setpoint Input (Analog I/O option only)  
0-5 Vdc: Input will accept signals to 5.5 Vdc (110% F.S.).  
Input resistance: 200 Kohm nominal.

### Process Connections

Standard inlet and outlet connections supplied on the Model SL7810 and Model SL7820 are 1/4"(M) VCR™ (standard)  
C Seal (SEMI 2787.1)  
CS Seal (SEMI 2787.5)  
W Seal (SEMI 2787.3)

### Environmental Conditions

Installation Category: "I"  
Pollution Degree: 2  
Humidity: 50-80% Relative Humidity  
Meter Altitude: 6562 feet (2,000 meters)  
For Indoor Use ONLY  
Mains supply voltage fluctuations not to exceed  $\pm 10\%$  of the nominal voltage

### Valve Override Signal (Analog I/O option only)

**IF** Left floating, unconnected or grounded instrument controls valve to setpoint.  
**IF** Connected to signal at or above 10.0 Volts, valve is forced open.  
**IF** Connected to signal at or below 0.0 Volts, valve is forced closed.

*THIS PAGE WAS  
INTENTIONALLY  
LEFT BLANK*



## 2-1 General

This section provides installation instructions for the Brooks Model SLA7810/20 PC. Figure 1-2 through Figure 1-8 show the Model SLA7810/20 dimensions, gas connections and electrical connection locations for an MFC.

## 2-2 Receipt of Equipment

When the instrument is received, the outside packing case should be checked for damage incurred during shipment. If the packing case is damaged, the local carrier should be notified at once regarding his liability. A report should be submitted to your nearest Product Service Department.

### Brooks Instrument

407 W. Vine Street  
P.O. Box 903  
Hatfield, PA 19440 USA  
Toll Free (888) 554-FLOW (3569)  
Tel (215) 362-3700  
Fax (215) 362-3745  
E-mail: BrooksAm@BrooksInstrument.com  
www.BrooksInstrument.com

### Brooks Instrument

Neonstraat 3  
6718 WX Ede, Netherlands  
P.O. Box 428  
6710 BK Ede, Netherlands  
Tel 31-318-549-300  
Fax 31-318-549-309  
E-mail: BrooksEu@BrooksInstrument.com

### Brooks Instrument

1-4-4 Kitasuna Koto-Ku  
Tokyo, 136-0073 Japan  
Tel 011-81-3-5633-7100  
Fax 011-81-3-5633-7101  
Email: BrooksAs@BrooksInstrument.com

Remove the envelope containing the packing list. Outside of your clean area, carefully remove the equipment from the packing case. Make sure spare parts are not discarded with the packing material. Inspect for damaged or missing parts.

This device has been assembled, calibrated and double-vacuum bagged in a Class 100 clean room. In your semi-clean area, remove the outer bag only. Pass your Model SLA7810/20 Metal Seal Pressure Controller into your clean area. Remove the second clean room compatible bag only when the equipment is ready to be tested and/or installed in your clean system.

## 2-3 Recommended Storage Practice

If intermediate or long-term storage of equipment is required, it is recommended that the equipment be stored in accordance with the following:

- a. In the original vacuum bag and shipping container.
- b. In a sheltered area with the following conditions:
  1. Ambient temperature 21°C (70°F) nominal, 32°C (90°F) maximum and 7°C (45°F) minimum.
  2. Relative humidity 45% nominal, 60% maximum and 25% minimum.

## Model SLA7800 &amp; SLA7820

**2-4 Return Shipment**

Prior to returning any instrument to the factory, contact your nearest Brooks location for a Return Materials Authorization Number (RMA#). This can be obtained from one of the following locations:

**Brooks Instrument**

407 W. Vine Street  
P.O. Box 903  
Hatfield, PA 19440 USA  
Toll Free (888) 554-FLOW (3569)  
Tel (215) 362-3700  
Fax (215) 362-3745  
E-mail: BrooksAm@BrooksInstrument.com  
www.BrooksInstrument.com

**Brooks Instrument**

Neonstraat 3  
6718 WX Ede, Netherlands  
P.O. Box 428  
6710 BK Ede, Netherlands  
Tel 31-318-549-300  
Fax 31-318-549-309  
E-mail: BrooksEu@BrooksInstrument.com

**Brooks Instrument**

1-4-4 Kitasuna Koto-Ku  
Tokyo, 136-0073 Japan  
Tel 011-81-3-5633-7100  
Fax 011-81-3-5633-7101  
Email: BrooksAs@BrooksInstrument.com

Instrument must have been purged in accordance with the following:

Completion of form RPR003-1, Brooks Instrument Decontamination Statement. A copy of this form can be downloaded from the Brooks website [www.brooksinstrument.com](http://www.brooksinstrument.com) or is available from any Brooks Instrument location listed above. This is required before any Brooks Personnel can begin processing. Copies of the form can be obtained from any Brooks Instrument location listed above. Provide a Material Safety Data Sheet (MSDS) for the fluid(s) used in the instrument.

**⚠ WARNING**

**Before returning the PC to the factory purge the controller thoroughly with a dry inert gas such as Nitrogen before disconnecting the gas connections. Failure to correctly purge the controller could result in fire, explosion or death. Corrosion or contamination may occur upon exposure to air.**

**2-5 Transit Precautions**

To safeguard against damage during transit, transport the instrument to the installation site in the same container used for transportation from the factory if circumstances permit.

**2-6 Typical Configurations**

A pressure controller system can be built in upstream or downstream control configurations (refer to Figures 1-5 and 1-6). When the controller is placed downstream (upstream pressure controller) of the pressure vessel, the flow is usually determined by the MFC(s) in the line upstream of the vessel.

With the pressure controller upstream of the vessel (downstream pressure controller), the most likely application is controlling a subatmospheric pressure in the vessel. The inlet of the pressure controller can be at atmospheric gas pressure or at vapor pressure of a liquid source. The flow in this situation is usually determined by the characteristics of a vacuum pump.

## 2-7 Gas Connections

Standard inlet and outlet connections supplied on the Model SLA7810 and Model SLA7820 are 1/4"(M) VCR. Prior to installation ensure all piping is clean and free from obstructions. Install piping in such a manner that permits easy access to the instrument if removal becomes necessary.

## 2-8 Installation Procedures

### **⚠ CAUTION**

When installing the instrument, insure that no foreign materials enter the inlet or outlet of the meter. Do not remove the protective end caps until time of installation.

### **⚠ CAUTION**

Any Brooks Instrument pressure controller with a 15 pin D-Connector PC board bearing the "CE Mark" must use a 100% shielded cable and metal shell mating connectors. The shield is tied over 360 degrees to the shell on both ends. This is mandatory to be in compliance with the EMC Directive 989/336/EEC.

### Installation Procedures

- a. The Model SLA7810/SLA7820 should be located in a clean, dry atmosphere relatively free from shock and vibration.
- b. Leave sufficient room for access to the electrical components.
- c. Install in such a manner that permits easy removal if the instrument requires cleaning.
- d. The Model SLA7810/SLA7820 pressure controller may be installed in any position.

**Note:** The control valve in the Model SLA7810/SLA7820 provides precision control and is not designed for positive shut-off. If positive shut-off is required, it is recommended that a separate shut-off valve be installed in-line.

Model SLA7800 & SLA7820

**⚠ CAUTION**

When used with a reactive (sometime toxic) gas, contamination or corrosion may occur as a result of plumbing leaks or improper purging. Plumbing should be checked carefully for leaks and the controller purged with dry nitrogen before use. See Brooks' Technical Bulletin T-086 for further information.

**⚠ CAUTION**

Since the Control Valve is not a positive shut-off, a separate solenoid valve may have been installed for that purpose. It should be noted that a small amount of gas may be trapped between the downstream side of the pressure controller and the solenoid, resulting in a surge upon opening of the solenoid valve. This surge can be reduced in magnitude by locating the controller and solenoid valve close together.

**2-9 In-Line Filter**

It is recommended that an in-line filter, such as the Brooks Model 5848, be installed upstream from the controller to prevent the possibility of any foreign material entering the meter. The filter porosity should be approximately ten times smaller than the orifice used in the installation, however, it is recommended that the minimum porosity that does not restrict the flow rate being used. The filtering element should be periodically replaced or cleaned.

**2-10 Electrical Interface**

Signal:	D-conn
Setpoint/Command Common	1
Pressure Signal Out	2
15V Power Supply	5
15V(unused)	6
Setpoint/Command Input	8
Power Supply Common	9
Output Signal Common	10
+5V Reference	11
Valve Override	12
Application Select Pin	13
No Connections	3, 4, 7,14,15

**Note:** The Setpoint Return is internally connected to Signal Return and Supply Voltage Common.

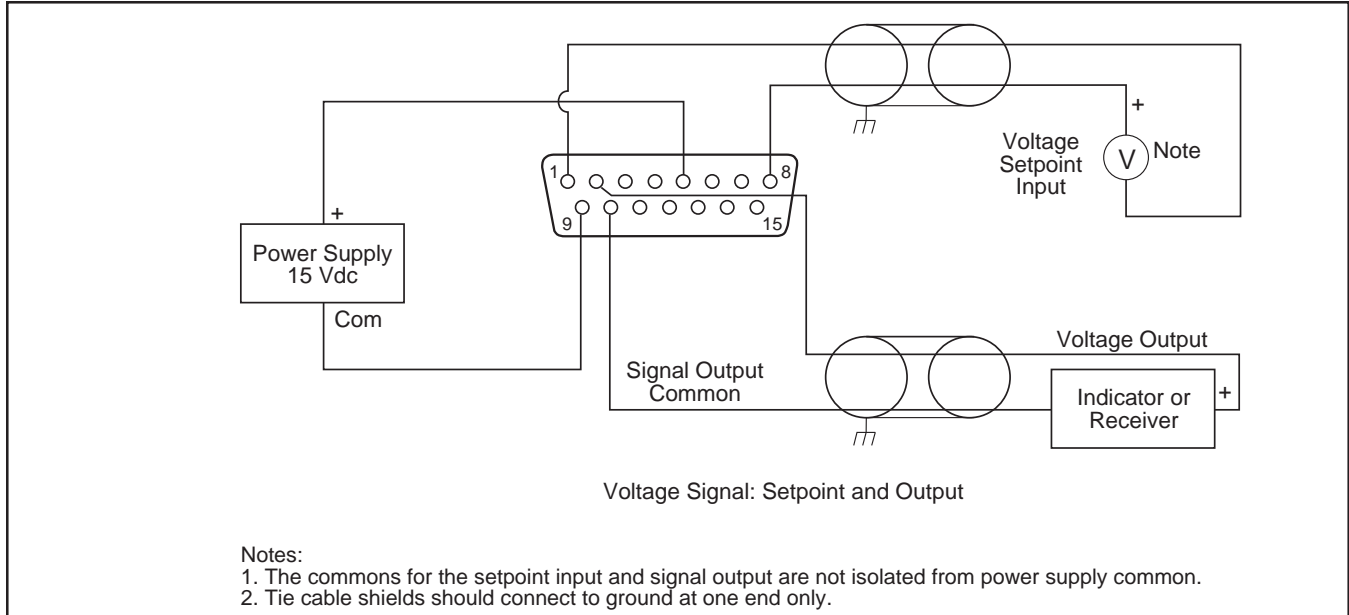


Figure 2-1 Common Electrical Connections, Analog I/O

### Electrical Interface DeviceNet Mode

Electrical Interface in DeviceNet mode is covered in the DeviceNet™ Supplemental Instruction Manual for Brooks Models SLA7810 and SLA7820 (X-DeviceNet-PC-eng)

## 2-11 Remote Setpoint (Command) Input Analog Mode

If the pressure controller will be commanded by an external voltage or current signal, the command potentiometer is not used. The command hookup is as follows:

- a. Voltage Signal: Connect the external setpoint signal to Terminal 8 and the external setpoint return to Terminal 1. Refer to Figure 2-1.
- b. Note: The setpoint return is internally connected to signal return and power supply common. Current supplied by the device providing the set point will not be returned on the current loop.

*THIS PAGE WAS  
INTENTIONALLY  
LEFT BLANK*

### 3-1 Overview

This section contains the following information:

- Proportional Band and Integration Time Constant Adjustment

### 3-2 Proportional Band and Integration Time Constant Adjustment

The Model SLA7810/SLA7820 Pressure Controller has proportional and integral control action. The reset, or integral, control is combined with the proportional control actions, commonly referred to as P.I. control. Both proportional band and integration time are user adjustable by using special commands over a DeviceNet connection or using Brooks Service Software. The dynamic behavior of the control system is influenced by flow range, pressure range, fluid type, orifice size and system volume. Therefore, the pressure controller may need adjustment in the field to achieve the best dynamic response.

The factory settings usually result in stable control. For most systems the dynamic response is adequate with the factory settings. Improved response can be had by final tuning the P. and I. software parameters in the intended application by the user. The tuning of the P. and I. constants does not affect the calibration of the instrument.

#### Definitions

Both proportional and integral control actions are defined with respect to a step response error signal. The error signal is the difference between the actual pressure and the setpoint. Since no control system is instantaneous, an error signal will be present while the controller is attempting to reach setpoint.

The SLA7810 and SLA7820 employ digital P.I. controls. There are no potentiometers to adjust these values.

#### Proportional Control

Proportional control is a basic continuous control mode in which the controller output is proportional to the error input signal to the controller. It provides very rapid response and is relatively stable. Used alone, proportional control has one disadvantage: at steady state; it exhibits an offset. That is there is a difference between the desired value, or setpoint and the actual value of the controlled variable. An integral action added to the proportional mode eliminates offset.

Proportional control is sometimes called proportional gain. The gain of the controller is high when the error is large, and low when the error is small.

**Model SLA7810 & SLA7820**

---

**Integral Control**

Integral or reset action is an integration of the input error signal over time. This means that with integral action the value of the manipulated variable changes at a rate proportional to the error. With integral action present there can be no offset at steady state since the manipulated variable will continue to change as long as an error is present.

**Characteristics of P.I. Control**

By using both proportional and integral control actions, rapid control can be achieved with out a steady state offset. Typically there is a slight decrease in system stability due to the presence of the integral mode. The dynamic response of the system is better than the response would be with integral alone. Because the two controller modes are interactive the P.I. controller is somewhat more difficult to tune.

**Tuning the P.I. control**

Using the Brooks Service tool, read the current values of P. and I. It is highly recommended that the P. and I. values be recorded before adjustment. This will allow easy return to the factory settings. The Brooks Service tool is covered in another document. Increasing the P. parameter will increase the proportional band thus increasing the system response time. If the proportional band is too high, the system may overshoot the setpoint, or oscillate.


Increasing the Integral parameter will increase the integration time, making the system respond slower, but more stable.

Most applications require fast response time. This can be achieved by using a low Integral number and a high Proportional number. P. and I. should be adjusted so the controller reaches setpoint in the minimum time, without overshoot or oscillation.

Check the adjustment in the system over the expected range of pressures and flows.



#### 4-1 Overview

	<b>! WARNING</b>
<b>METER/CONTROLLER SEAL COMPATIBILITY</b> <p>Products in this manual may contain metal or elastomeric seals, gaskets, O-rings or valve seats. It is the "user's" responsibility to select materials that are compatible with their process and process conditions. Using materials that are not compatible with the process or process conditions could result in the Meter or Controller leaking process fluid outside the pressure boundary of the device, resulting in personnel injury or death.</p> <p>It is recommended that the user check the Meter or Controller on a regular schedule to ensure that it is leak free as both metal and elastomeric seals, gaskets, O-rings and valve seats may change with age, exposure to process fluid, temperature, and /or pressure.</p>	

Routine maintenance is required on the Models SLA7810 and SLA7820. If an in-line filter is used, the filtering element should be periodically replaced. This section provides the Following information:

- Troubleshooting

#### 4-2 Troubleshooting

<b>! WARNING</b>
<p>If it becomes necessary to remove the controller from the system after exposure to toxic, pyrophoric, flammable or corrosive gas, purge the controller thoroughly with a dry, inert gas such as Nitrogen before disconnecting the gas connections. Failure to correctly purge the controller could result in fire, explosion or death. Corrosion or contamination of the pressure controller, upon exposure to air, may also occur.</p>

<b>! CAUTION</b>
<p>It is important that this pressure controller only be serviced by properly trained and qualified personnel.</p>

## Model SLA7810 & SLA7820

---

This section contains suggestions to help diagnose pressure controller related problems in the gas distribution system and answers commonly asked questions.

### A. System Checks

The Model SLA7810/SLA7820 is generally used as a component in gas handling systems, which can be quite complex. This can make the task of isolating a malfunction in the system a difficult one. An incorrectly diagnosed malfunction can cause many hours of unnecessary down time. If possible, make the following system checks before removing a suspected defective pressure controller for bench troubleshooting or return to the factory, especially if the system is new.

1. Verify a low resistance common connection and that the correct power supply voltage and signals are reaching and leaving the controller (for Analog I/O). The Break-out Board (P/N S-273-Z-649-AAA) will make this job much easier.
2. Verify that the process gas connections have been correctly terminated and leak checked.
3. If the pressure controller appears to be functioning but cannot achieve setpoint, verify that sufficient inlet pressure and pressure drop are available at the controller to provide the required flow.
4. Verify correct zero position and/or re-zero device.
  - a. Connect the power cable to the PC.
  - b. Allow the PC to warm-up for a minimum of 15 minutes.
  - c. Close any inlet valves connected to PC.
  - d. Connect vacuum pump to PC outlet.
  - e. For upstream PC (SLA7820) give zero (0%) set point to device. For downstream PC (SLA7810) give full scale (100%) set point to device.
  - f. Turn on the vacuum pump. When the pressure gauge reads less than 1.0 mm Hg, press the zero button on the device.
  - g. Output process value should nominally read less than 10 mVdc (0.2% full scale). If reading is greater than 10 mVdc (0.2% full scale), consult factory.

### B. Bench Testing

A basic bench test can be performed to isolate the cause of a problem or to verify the proper operation of the pressure controller. This method can be used if the full scale calibration pressure of the Pressure Controller is greater than 14.7 psia (atmospheric).

1. Connect the Pressure controller to the appropriate power supply as required for either Analog or DeviceNet.
2. Apply power to the pressure controller.

**Example of calculations (Analog Version)**

- a. Pressure controller is calibrated to 1000 torr full scale
- b. Therefore a 5 volt output represents 1000 torr.
- c. When the pressure controller is open to atmosphere, the actual output signal from the pressure controller is 3.78 Volts DC.  
Atmospheric pressure is nominally 14.7 psia (760 torr)
- d. The calculated analog output is:  $(760 \text{ torr}/1000 \text{ torr}) \times 5 \text{ VDC} = 3.80 \text{ Vdc}$ .
- e. The actual output of the pressure controller is within 5% of the calculated value.

**Example of calculations (DeviceNet Version)**

- a. Pressure controller is calibrated to 1000 torr full scale.
- b. 100% output equals 1000 torr.
- c. When the pressure controller is open to atmosphere, the actual output signal from the pressure controller is 78%.  
Atmospheric pressure is nominally 14.7 psia (760 torr)
- d. The calculated output is:  $(760 \text{ torr}/1000 \text{ torr}) \times 100\% = 76\%$
- e. The actual output of the pressure controller is within 5% of the calculated value.

If the pressure controller output is within limits, the problem is in the control valve or the system itself. Please contact Brooks Instrument for further recommendations.

**C. Disassembly**

It is not practical to disassemble the controller in the field. The spacing between the valve and the orifice is critical and could change when disassembled and reassembled. New screws and metal seals must be used for all pressure boundary components.

*THIS PAGE WAS  
INTENTIONALLY  
LEFT BLANK*

**Dansk**

Brooks Instrument  
407 West Vine St.  
Hatfield, PA 19440  
U.S.A.

**Emne** : **Tillæg til instruktions manual.**  
**Reference** : **CE mærkning af Masse Flow udstyr**  
**Dato** : **Januar-1996.**

Brooks Instrument har gennemført CE mærkning af elektronisk udstyr med succes, i henhold til regulativet om elektrisk støj (EMC direktivet 89/336/EEC).

Der skal dog gøres opmærksom på benyttelsen af signalkabler i forbindelse med CE mærkede udstyr.

**Kvaliteten af signal kabler og stik:**

Brooks lever kabler af høj kvalitet, der imødekommer specifikationerne til CE mærkning.

Hvis der anvendes andre kabel typer skal der benyttes et skærmet kabel med hel skærm med 100% dækning.

Forbindelses stikket type "D" eller "cirkulære", skal være skærmet med metalhus og eventuelle PG-forskrutninger skal enten være af metal eller metal skærmet.

Skærmen skal forbindes, i begge ender, til stikkets metalhus eller PG-forskrutningen og have forbindelse over 360 grader.

Skærmen bør være forbundet til jord.

"Card Edge" stik er standard ikke af metal, der skal derfor ligeledes benyttes et skærmet kabel med hel skærm med 100% dækning.

Skærmen bør være forbundet til jord.

Forbindelse af stikket; venligst referer til vedlagte instruktions manual.

Med venlig hilsen,

---

**Deutsch**

Brooks Instrument  
407 West Vine St.  
Hatfield, PA 19440  
U.S.A.

**Subject** : **Nachtrag zur Bedienungsanleitung.**  
**Referenz** : **CE Zertifizierung für Massedurchflußgeräte**  
**Datum** : **Januar-1996.**

Nach erfolgreichen Tests entsprechend den Vorschriften der Elektromagnetischen Verträglichkeit (EMC Richtlinie 89/336/EEC) erhalten die Brooks-Geräte (elektrische/elektronische Komponenten) das CE-Zeichen.

Bei der Auswahl der Verbindungskabel für CE-zertifizierte Geräte sind spezielle Anforderungen zu beachten.

**Qualität der Verbindungskabel, Anschlußstecker und der Kabeldurchführungen**

Die hochwertigen Qualitätskabel von Brooks entsprechen der Spezifikation der CE-Zertifizierung.

Bei Verwendung eigener Verbindungskabel sollten Sie darauf achten, daß eine 100 %igen Schirmabdeckung des Kabels gewährleistet ist.

"D" oder "Rund" -Verbindungsstecker sollten eine Abschirmung aus Metall besitzen.

Wenn möglich, sollten Kabeldurchführungen mit Anschlußmöglichkeiten für die Kabelabschirmung verwendet werden.

Die Abschirmung des Kabels ist auf beiden Seiten des Steckers oder der Kabeldurchführungen über den vollen Umfang von 360 ° anzuschließen.

Die Abschirmung ist mit dem Erdpotential zu verbinden.

Platinen-Steckverbindungen sind standardmäßige keine metallgeschirmten Verbindungen. Um die Anforderungen der CE-Zertifizierung zu erfüllen, sind Kabel mit einer 100 %igen Schirmabdeckung zu verwenden.

Die Abschirmung ist mit dem Erdpotential zu verbinden.

Die Belegung der Anschlußpins können Sie dem beigelegten Bedienungshandbuch entnehmen.

**Model SLA7810 & SLA7820**

---

**English**

Brooks Instrument  
407 West Vine St.  
Hatfield, PA 19440  
U.S.A.

**Subject** : **Addendum to the Instruction Manual.**  
**Reference** : **CE certification of Mass Flow Equipment**  
**Date** : **January-1996.**

The Brooks (electric/electronic) equipment bearing the CE mark has been successfully tested to the regulations of the Electro Magnetic Compatibility (EMC directive 89/336/EEC).

Special attention however is required when selecting the signal cable to be used with CE marked equipment.

**Quality of the signal cable, cable glands and connectors:**

Brooks supplies high quality cable(s) which meets the specifications for CE certification.

If you provide your own signal cable you should use a cable which is overall completely screened with a 100% shield.

“D” or “Circular” type connectors used should be shielded with a metal shield. If applicable, metal cable glands must be used providing cable screen clamping.

The cable screen should be connected to the metal shell or gland and shielded at both ends over 360 Degrees.

The shield should be terminated to a earth ground.

Card Edge Connectors are standard non-metallic. The cables used must be screened with 100% shield to comply with CE certification.

The shield should be terminated to a earth ground.

For pin configuration : Please refer to the enclosed Instruction Manual.

---

**Español**

Brooks Instrument  
407 West Vine St.  
Hatfield, PA 19440  
U.S.A.

**Asunto** : **Addendum al Manual de Instrucciones.**  
**Referencia** : **Certificación CE de los Equipos de Caudal Másico**  
**Fecha** : **Enero-1996.**

Los equipos de Brooks (eléctricos/electrónicos) en relación con la marca CE han pasado satisfactoriamente las pruebas referentes a las regulaciones de Compatibilidad Electro magnética (EMC directiva 89/336/EEC).

Sin embargo se requiere una atención especial en el momento de seleccionar el cable de señal cuando se va a utilizar un equipo con marca CE.

**Calidad del cable de señal, prensaestopas y conectores:**

Brooks suministra cable(s) de alta calidad, que cumple las especificaciones de la certificación CE .

Si usted adquiere su propio cable de señal, debería usar un cable que esté completamente protegido en su conjunto con un apantallamiento del 100%.

Cuando utilice conectores del tipo “D” ó “Circular” deberían estar protegidos con una pantalla metálica. Cuando sea posible, se deberán utilizar prensaestopas metálicos provistos de abrazadera para la pantalla del cable.

La pantalla del cable deberá ser conectada al casquillo metálico ó prensa y protegida en ambos extremos completamente en los 360 Grados.

La pantalla deberá conectarse a tierra.

Los conectores estandar de tipo tarjeta (Card Edge) no son metálicos, los cables utilizados deberán ser protegidos con un apantallamiento del 100% para cumplir con la certificación CE.

La pantalla deberá conectarse a tierra.

Para ver la configuración de los pines: Por favor, consultar Manual de Instrucciones adjunto.

**Français**

Brooks Instrument  
407 West Vine St.  
Hatfield, PA 19440  
U.S.A.

**Sujet** : **Annexe au Manuel d'Instructions.**  
**Référence** : **Certification CE des Débitmètres Massiques à Effet Thermique.**  
**Date** : **Janvier 1996.**

Messieurs,

Les équipements Brooks (électriques/électroniques) portant le label CE ont été testés avec succès selon les règles de la Compatibilité Electromagnétique (directive CEM 89/336/EEC).

Cependant, la plus grande attention doit être apportée en ce qui concerne la sélection du câble utilisé pour véhiculer le signal d'un appareil portant le label CE.

**Qualité du câble, des presse-étoupes et des connecteurs:**

Brooks fournit des câbles de haute qualité répondant aux spécifications de la certification CE.

Si vous approvisionnez vous-même ce câble, vous devez utiliser un câble blindé à 100 %.

Les connecteurs « D » ou de type « circulaire » doivent être reliés à la terre.

Si des presse-étoupes sont nécessaires, ceux ci doivent être métalliques avec mise à la terre.

Le blindage doit être raccordé aux connecteurs métalliques ou aux presse-étoupes sur le pourtour complet du câble, et à chacune de ses extrémités.

Tous les blindages doivent être reliés à la terre.

Les connecteurs de type « card edge » sont non métalliques. Les câbles utilisés doivent être blindés à 100% pour satisfaire à la réglementation CE.

Tous les blindages doivent être reliés à la terre.

Se référer au manuel d'instruction pour le raccordement des contacts.

**Greek**

Brooks Instrument  
407 West Vine St.  
Hatfield, PA 19440  
U.S.A.

**α** : Προσθήκη στο Εγχειρίδιο Οδηγιών.  
**ηλεκτρονικά** : Πιστοποίηση CE των Οργάνων Μέτρησης Παροχής Μάζας.  
**προμηθία** : Ιανουάριος - 1996

Συρίες και Κύριοι,

Για όργανα (ηλεκτρικά/ηλεκτρονικά) της Brooks τα οποία φέρουν το σήμα CE έχουν πιστωχώς ελεγχθεί σύμφωνα με τους κανονισμούς της Ηλεκτρο-Μαγνητικής Συμβατότητας (EMC ντιρεκτίβα 89/336/EEC).

Πωσδήποτε χρειάζεται ειδική προσοχή κατά την επιλογή του καλωδίου μεταφοράς του σήματος το οποίο (καλώδιο) πρόκειται να χρησιμοποιηθεί με όργανα που φέρουν το σήμα CE.

**Ιδιότητα του καλωδίου σήματος των τυπιοθλιπτών και των συνδέσμων .**

Η Brooks κατά κανόνα προμηθεύει υψηλής ποιότητας καλώδια τα οποία πληρούν τις προδιαγραφές για πιστοποίηση CE.

Εάν η επιλογή του καλωδίου σήματος γίνει από σας πρέπει να χρησιμοποιήσετε καλώδιο το οποίο να φέρει εξωτερικά πλήρες πλέγμα και να παρέχει θωράκιση 100%.

Οι σύνδεσμοι τύπου "D" ή "Κυκλικοί" των καλωδίων, πρέπει να θωρακίζονται με μεταλλική θωράκιση. Εάν είναι εφαρμόσιμο, πρέπει να χρησιμοποιούνται μεταλλικοί τυπιοθλίπτες καλωδίων που να διαθέτουν ακροδέκτη σύνδεσης του πλέγματος του καλωδίου.

Το πλέγμα του καλωδίου πρέπει να συνδέεται στο μεταλλικό περίβλημα ή στον τυπιοθλίπτη και να θωρακίζεται και στα δύο άκρα κατά 360 μοίρες.

Η θωράκιση πρέπει να καταλήγει σε κάποιο ακροδέκτη γείωσης.

Οι σύνδεσμοι καρτών είναι μη-μεταλλικοί, τα καλώδια που χρησιμοποιούνται πρέπει να φέρουν πλέγμα θωράκισης 100% για να υπακούουν στην πιστοποίηση CE.

Η θωράκιση πρέπει να καταλήγει σε κάποιο ακροδέκτη γείωσης.

Κατά την διάταξη των ακροδεκτών: Παρακαλούμε αναφερθείτε στο εσωκλειστο εγχειρίδιο Οδηγιών.

Model SLA7810 & SLA7820

---

**Italiano**

Brooks Instrument  
407 West Vine St.  
Hatfield, PA 19440  
U.S.A.

**Oggetto** : **Addendum al manuale di istruzioni.**  
**Riferimento** : **Certificazione CE dei misuratori termici di portata in massa**  
**Data** : **Gennaio 1996.**

Questa strumentazione (elettrica ed elettronica) prodotta da Brooks Instrument, soggetta a marcatura CE, ha superato con successo le prove richieste dalla direttiva per la Compatibilità Elettromagnetica (Direttiva EMC 89/336/EEC).

E' richiesta comunque una speciale attenzione nella scelta dei cavi di segnale da usarsi con la strumentazione soggetta a marchio CE.

**Qualità dei cavi di segnale e dei relativi connettori:**

Brooks fornisce cavi di elevata qualità che soddisfano le specifiche richieste dalla certificazione CE. Se l'utente intende usare propri cavi, questi devono possedere una schermatura del 100%.

I connettori sia di tipo "D" che circolari devono possedere un guscio metallico. Se esiste un passacavo esso deve essere metallico e fornito di fissaggio per lo schermo del cavo.

Lo schermo del cavo deve essere collegato al guscio metallico in modo da schermarlo a 360° e questo vale per entrambe le estremità.

Lo schermo deve essere collegato ad un terminale di terra.

I connettori "Card Edge" sono normalmente non metallici. Il cavo impiegato deve comunque avere una schermatura del 100% per soddisfare la certificazione CE.

Lo schermo deve essere collegato ad un terminale di terra.

Per il corretto cablaggio dei terminali occorre fare riferimento agli schemi del manuale di istruzioni dello strumento.

---

**Nederlands**

Brooks Instrument  
407 West Vine St.  
Hatfield, PA 19440  
U.S.A.

**Onderwerp** : **Addendum voor Instructie Handboek**  
**Referentie** : **CE certificering voor Mass Flow Meters & Controllers**  
**Datum** : **Januari 1996**

Dames en heren,

Alle CE gemarkeerde elektrische en elektronische producten van Brooks Instrument zijn met succes getest en voldoen aan de wetgeving voor Electro Magnetische Compatibiliteit (EMC wetgeving volgens 89/336/EEC).

Speciale aandacht is echter vereist wanneer de signaalkabel gekozen wordt voor gebruik met CE gemarkeerde producten.

**Kwaliteit van de signaalkabel en kabelaansluitingen:**

- Brooks levert standaard kabels met een hoge kwaliteit, welke voldoen aan de specificaties voor CE certificering. Indien men voorziet in een eigen signaalkabel, moet er gebruik gemaakt worden van een kabel die volledig is afgeschermd met een bedekkingsgraad van 100%.
- "D" of "ronde" kabelconnectoren moeten afgeschermd zijn met een metalen connector kap. Indien kabelwartels worden toegepast, moeten metalen kabelwartels worden gebruikt die het mogelijk maken het kabelscherm in te klemmen. Het kabelscherm moet aan beide zijden over 360° met de metalen connectorkap, of wartel verbonden worden. Het scherm moet worden verbonden met aarde.
- "Card-edge" connectors zijn standaard niet-metallisch. De gebruikte kabels moeten volledig afgeschermd zijn met een bedekkingsgraad van 100% om te voldoen aan de CE certificering. Het scherm moet worden verbonden met aarde.

Voor pin-configuraties a.u.b. verwijzen wij naar het bijgesloten instructie handboek.

Hoogachtend,



**Norsk**Brooks Instrument  
407 West Vine St.  
Hatfield, PA 19440  
U.S.A.

**Vedrørende** : **Vedlegg til håndbok**  
**Referanse** : **CE sertifisering av utstyr for massestrømsmåling og regulering**  
**Dato** : **Januar 1996**

**Til den det angår**

Brooks Instrument elektrisk og elektronisk utstyr påført CE-merket har gjennomgått og bestått prøver som beskrevet i EMC forskrift om elektromagnetisk immunitet, direktiv 89/336/EEC.

For å opprettholde denne klassifisering er det av stor viktighet at riktig kabel velges for tilkobling av det måletekniske utstyret.

**Utførelse av signalkabel og tilhørende plugger:**

- Brooks Instrument tilbyr levert med utstyret egnet kabel som møter de krav som stilles til CE-sertifisering.
  - Dersom kunden selv velger kabel, må kabel med fullstendig, 100% skjerming av lederene benyttes. "D" type og runde plugger og forbindelser må være utført med kappe i metall og kabelnipler må være utført i metall for jordnet innfesting av skjermen. Skjermen i kabelen må tilknyttes metallet i pluggen eller nippelen i begge ender over 360°, tilkoblet elektrisk jord.
  - Kort-kantkontakter er normalt utført i kunststoff. De tilhørende flatkabler må være utført med fullstendig, 100% skjerming som kobles til elektrisk jord på riktig pinne i pluggen, for å møte CE sertifiseringskrav.
- For tilkobling av medleverte plugger, vennligst se håndboken som hører til utstyret.  
Vennlig hilsen

---

**Português**Brooks Instrument  
407 West Vine St.  
Hatfield, PA 19440  
U.S.A.

**Assunto** : **Adenda ao Manual de Instruções**  
**Referência** : **Certificação CE do Equipamento de Fluxo de Massa**  
**Data** : **Janeiro de 1996.**

O equipamento (eléctrico/electrónico) Brooks com a marca CE foi testado com êxito nos termos do regulamento da Compatibilidade Electromagnética (directiva CEM 89/336/EEC).

Todavia, ao seleccionar-se o cabo de sinal a utilizar com equipamento contendo a marca CE, será necessário ter uma atenção especial.

**Qualidade do cabo de sinal, buchas de cabo e conectores:**

A Brooks fornece cabo(s) de qualidade superior que cumprem os requisitos da certificação CE.

Se fornecerem o vosso próprio cabo de sinal, devem utilizar um cabo que, na sua totalidade, seja isolado com uma blindagem de 100%. Os conectores tipo "D" ou "Circulares" devem ser blindados com uma blindagem metálica. Se tal for necessário, deve utilizar-se buchas metálicas de cabo para o isolamento do aperto do cabo.

O isolamento do cabo deve ser ligado à blindagem ou bucha metálica em ambas as extremidades em 360°.

A blindagem deve terminar com a ligação à massa.

Os conectores "Card Edge" não são, em geral, metálicos e os cabos utilizados devem ter um isolamento com blindagem a 100% nos termos da Certificação CE..

A blindagem deve terminar com ligação à massa.

Relativamente à configuração da cavilha, queiram consultar o Manual de Instruções.

**Model SLA7810 & SLA7820**

---

**Suomi**

Brooks Instrument  
407 West Vine St.  
Hatfield, PA 19440  
U.S.A.

**Asia** : Lisäys Käyttöohjeisiin  
**Viite** : Massamäärämittareiden CE sertifiointi  
**Päivämäärä** : Tammikuu 1996

Brooksin CE merkillä varustetut sähköiset laitteet ovat läpäissyt EMC testit (direktiivi 89/336/EEC).  
Erityistä huomiota on kuitenkin kiinnitettävä signaalikaapelin valintaan.

**Signaalikaapelin, kaapelin läpiviennin ja liittimen laatu**

Brooks toimittaa korkealaatuisia kaapeleita, jotka täyttävät CE sertifiointivaatimukset. Hankkiessaan signaalikaapelin itse, olisi hankittava 100%:sti suojattu kaapeli.

“D” tai “Circular” tyyppisen liittimen tulisi olla varustettu metallisuojuilla. Mikäli mahdollista, tulisi käyttää metallisia kaapeliliittimiä kiinnitettäessä suoja.

Kaapelin suoja tulisi olla liitetty metallisuojaan tai liittimeen molemmissa päissä 360°:n matkalta.

Suojan tulisi olla maadoitettu.

“Card Edge Connector”it ovat standarditoimituksina ei-metallisia. Kaapeleiden täytyy olla 100%: sesti suojattuja jotta ne olisivat CE sertifiointivaatimusten mukaisia.

Suoja on oltava maadoitettu.

Nastojen liittäminen; katso liitteenä oleva manuaali.

Ystävällisin terveisin,

---

**Svensk**

Brooks Instrument  
407 West Vine St.  
Hatfield, PA 19440  
U.S.A.

**Subject** : Addendum to the Instruction Manual  
**Reference** : CE certification of Mass Flow Equipment  
**Date** : January 1996

Brooks (elektriska / elektronik) utrustning, som är CE-märkt, har testats och godkänts enligt gällande regler för elektromagnetisk kompatibilitet (EMC direktiv 89/336/EEC).

Speciell hänsyn måste emellertid tas vid val av signalkabel som ska användas tillsammans med CE-märkt utrustning.

**Kvalitet på signalkabel och anslutningskontakter:**

Brooks levererar som standard, kablar av hög kvalitet som motsvarar de krav som ställs för CE-godkännande.

Om man använder en annan signalkabel ska kabeln i sin helhet vara skärmad till 100%. “D” eller “runda” typer av anslutningskontakter ska vara skärmade. Kabelgenomföringar ska vara av metall alternativt med metalliserad skärmning.

Kabelns skärm ska, i bada ändar, vara ansluten till kontakternas metallkåpor eller genomföringar med 360 graders skärmning.

Skärmen ska avslutas med en jordförbindelse.

Kortkontakter är som standard ej metalliserade, kablar som används måste vara 100% skärmade för att överensstämja med CE-certifieringen.

Skärmen ska avslutas med en jordförbindelse.

För elektrisk anslutning till kontaktstiften hänvisas till medföljande instruktionsmanual.

**Installation and Operation Manual**

X-PR-SLA7800-PC-eng

Part Number: 541B047AAG

December, 2008

Model SLA7810 & SLA7820

---

*THIS PAGE WAS  
INTENTIONALLY  
LEFT BLANK*

Model SLA7810 & SLA7820

LIMITED WARRANTY

Seller warrants that the Goods manufactured by Seller will be free from defects in materials or workmanship under normal use and service and that the Software will execute the programming instructions provided by Seller until the expiration of the earlier of twelve (12) months from the date of initial installation or eighteen (18) months from the date of shipment by Seller. Products purchased by Seller from a third party for resale to Buyer ("Resale Products") shall carry only the warranty extended by the original manufacturer.

All replacements or repairs necessitated by inadequate preventive maintenance, or by normal wear and usage, or by fault of Buyer, or by unsuitable power sources or by attack or deterioration under unsuitable environmental conditions, or by abuse, accident, alteration, misuse, improper installation, modification, repair, storage or handling, or any other cause not the fault of Seller are not covered by this limited warranty, and shall be at Buyer's expense.

Goods repaired and parts replaced during the warranty period shall be in warranty for the remainder of the original warranty period or ninety (90) days, whichever is longer. This limited warranty is the only warranty made by Seller and can be amended only in a writing signed by an authorized representative of Seller.

BROOKS SERVICE AND SUPPORT

Brooks is committed to assuring all of our customers receive the ideal flow solution for their application, along with outstanding service and support to back it up. We operate first class repair facilities located around the world to provide rapid response and support. Each location utilizes primary standard calibration equipment to ensure accuracy and reliability for repairs and recalibration and is certified by our local Weights and Measures Authorities and traceable to the relevant International Standards.

Visit www.BrooksInstrument.com to locate the service location nearest to you.

START-UP SERVICE AND IN-SITU CALIBRATION

Brooks Instrument can provide start-up service prior to operation when required.

For some process applications, where ISO-9001 Quality Certification is important, it is mandatory to verify and/or (re)calibrate the products periodically. In many cases this service can be provided under in-situ conditions, and the results will be traceable to the relevant international quality standards.

CUSTOMER SEMINARS AND TRAINING

Brooks Instrument can provide customer seminars and dedicated training to engineers, end users and maintenance persons.

Please contact your nearest sales representative for more details.

HELP DESK

In case you need technical assistance:

- Americas 1-888-554-FLOW
Europe +(31) 318 549 290 Within Netherlands 0318 549 290
Asia +011-81-3-5633-7100

Due to Brooks Instrument's commitment to continuous improvement of our products, all specifications are subject to change without notice.

TRADEMARKS

- Brooks Brooks Instrument, LLC
DeviceNet Open DeviceNet Vendors Association, Inc.
ODVA Open DeviceNet Vendors Association, Inc.
VCR Cajon Company



Brooks Instrument
407 West Vine Street
P.O. Box 903
Hatfield, PA 19440-0903 USA
T (215) 362-3700
F (215) 362-3745
E-Mail BrooksAm@BrooksInstrument.com
www.BrooksInstrument.com

Brooks Instrument
Neonstraat 3
6718 WX Ede, Netherlands
T 31-318-549-300
F 31-318-549-309
E-Mail BrooksEu@BrooksInstrument.com

Brooks Instrument
1-4-4 Kitasuna Koto-Ku
Tokyo, 136-0073 Japan
T 011-81-3-5633-7100
F 011-81-3-5633-7101
E-Mail BrooksAs@BrooksInstrument.com

